

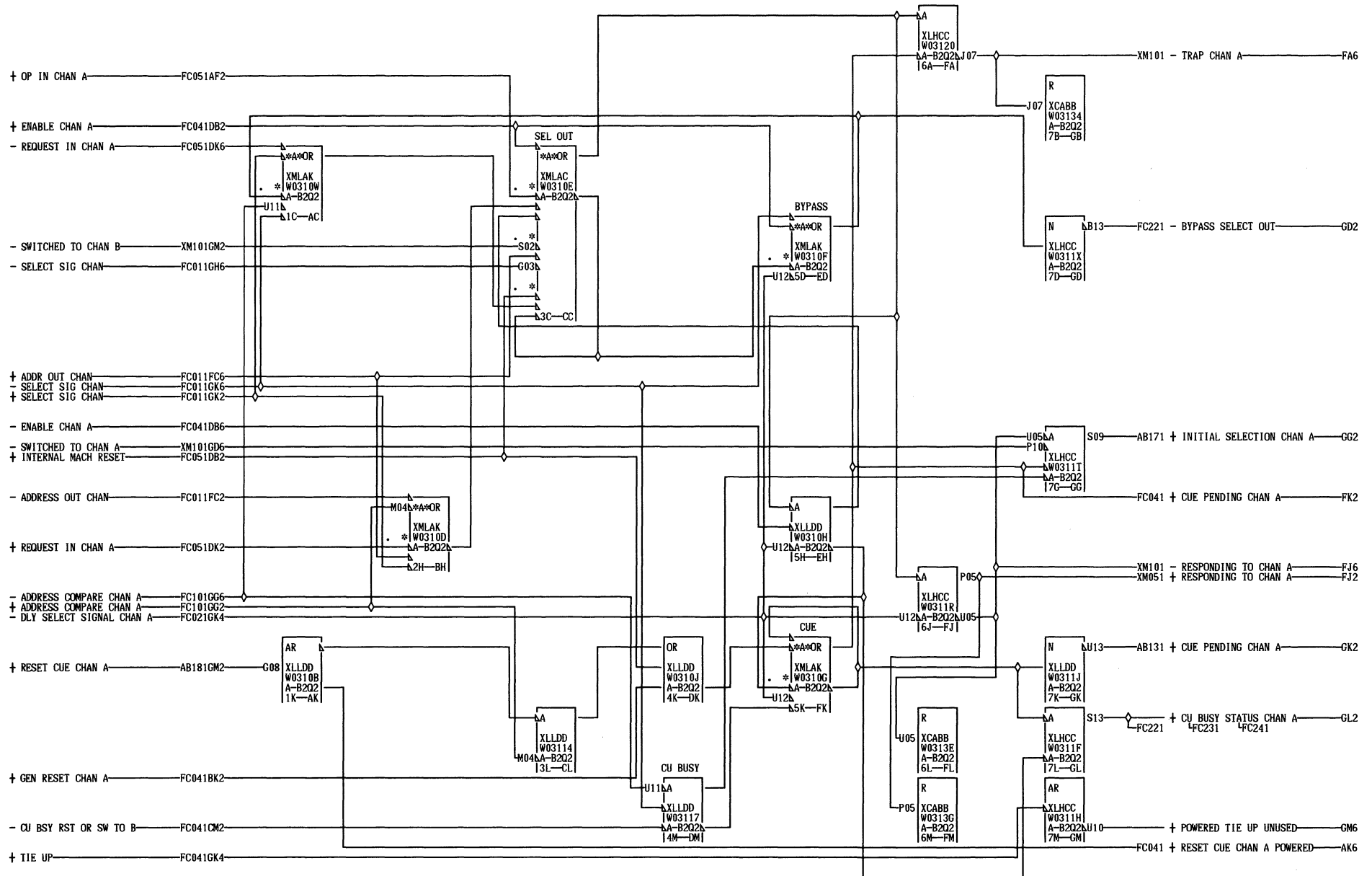
GM2 A-B2A2B05
 01A-A2V2B05
 GN6 A-B2A3D11
 01A-A2V3D11

07-17-73 734098
 03-16-82 846498

OUT TAGS CONVERSION			
DATE	04-24-82	MACH.	3803-2
LOG	1861	FRAME	01
		P.N.	2736338
IBM CORP.	CO	BLK.	GP

F
C
0
1
1
000

F
C
0
1
1
000

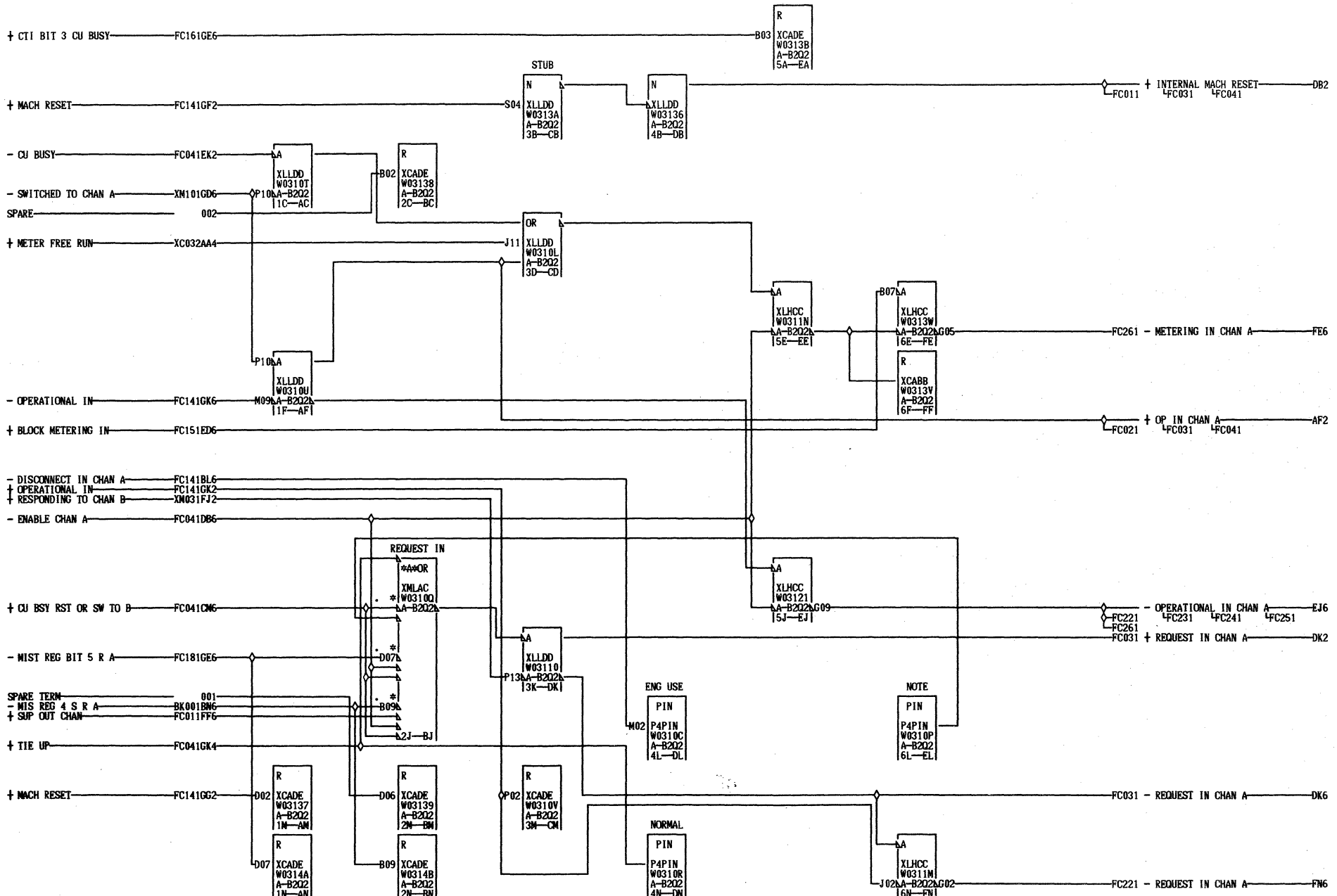


07-17-73 734098
03-16-82 846498

SELECT OUT BYPASS			
DATE	04-24-82	MACH.	3803-2
LOG	1861	FRAME	01
		P.N.	2736340
IBM CORP.	CO	BLK.	GN

FC031
000

FC031
000



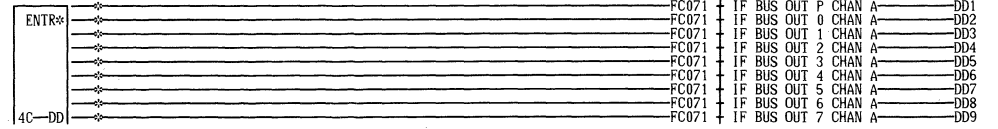
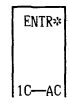
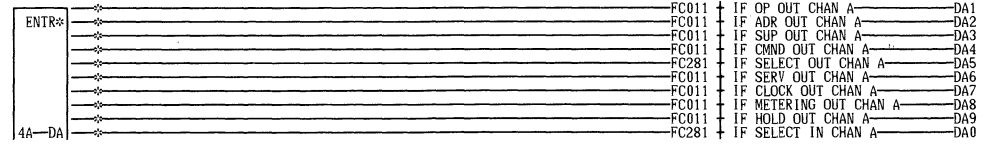
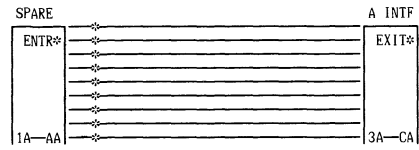
JUMPER DL-EI FOR ENG USE ONLY
 JUMPER DN-EL FOR NORMAL
 F NOTE INSTALL P4N 2520942
 C FROM A-B202P13 TO A-B202S06
 B IF TWO CHANNEL SWITCH FEATURE
 S NOT INSTALLED

000

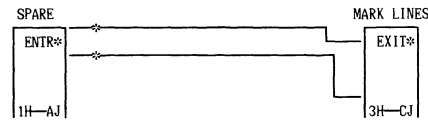
07-17-73 734098

INTAGS		
DATE	07-28-81	MACH. 3803-2
LOG	0051	FRAME 01
		P.N. 2736342
IBM CORP.	CO BLK.	GM

FC051



FC021 + IF DATA OUT CHAN A AC4

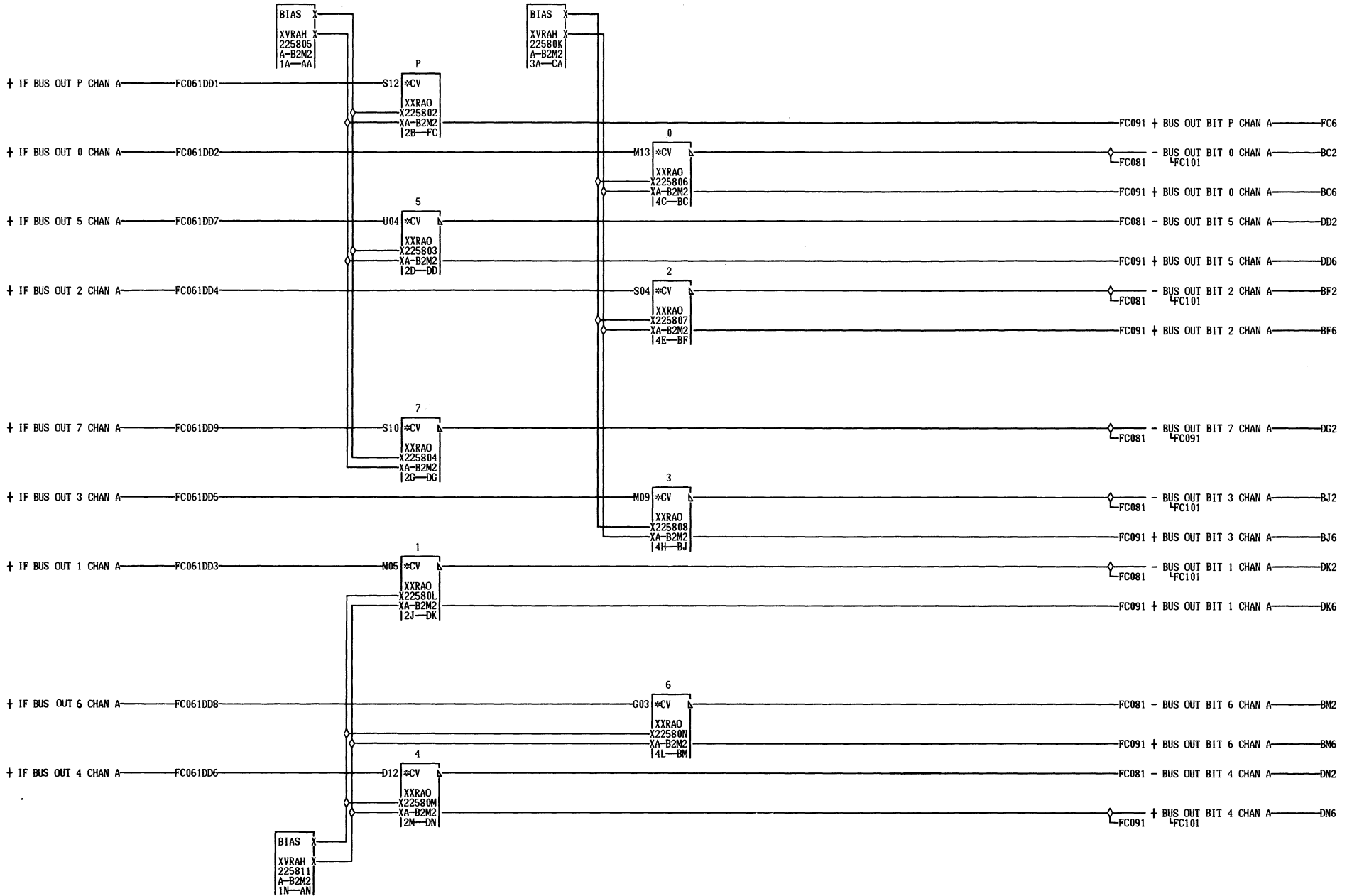


AA1 S-A1A3D02 AA4 S-A1A4G06 AA7 S-A1B1D02 AC4 S-A1A4G10 DA0 A-B2T4B08 01A-B2T4B12 DA7 S-A1A4G03 DD1 S-A1B1B03 DD4 S-A1B1D06 DD7 S-A1B1B10
 01A-B2V4B02 01A-B2V5D07 01A-B2V3B02 01A-B2V5B10 01S-A1B3B08 01S-A1B3B12 01A-B2V5D03 01A-B2V3D03 01A-B2V3B06 01A-B2V3B10
 01A-B2T4B02 01A-B2U5D07 01A-B2T3B02 01A-B2U5B10 DA1 S-A1A4J13 DA4 S-A1A3D11 01A-B2U5D03 01A-B2T3D03 01A-B2T3B06 01A-B2T3B10 07-17-73 734098
 01S-A1B3D02 01S-A1B4G06 01S-A1A1D02 01S-A1B4G10 01A-B2V5D13 01A-B2V4D11 01S-A1B4G03 01S-A1A1B03 01S-A1A1D06 01S-A1A1B10
 AA2 S-A1A3B06 AA5 S-A1A4J09 AA8 S-A1B1B06 AJ1 S-A1B1D13 01A-B2U5D13 01A-B2T4D11 DA8 S-A1A4J04 DD2 S-A1B1D04 DD5 S-A1B1B08 DD8 S-A1B1D11
 01A-B2V4D07 01A-B2V5D09 01A-B2V3D07 01A-B2V3D13 01S-A1B4J13 01S-A1B3D11 01A-B2V5B04 01A-B2V3B04 01A-B2V3B08 01A-B2V3D11
 01A-B2T4D07 01A-B2U5D09 01A-B2T3D07 01A-B2T3D13 DA2 S-A1A3B10 DA5 S-A1A3D09 01A-B2U5B04 01A-B2T3B04 01A-B2T3B08 01A-B2T3D11
 01S-A1B3B06 01S-A1B4J09 01S-A1A1B06 01S-A1A1D13 01A-B2V4B10 01A-B2V4D09 01S-A1B4J04 01S-A1A1D04 01S-A1A1B08 01S-A1A1D11
 AA3 S-A1A4J02 AA6 S-A1A2C06 AA9 S-A1A2J02 AJ3 S-A1A2J13 01A-B2T4B10 DA6 S-A1A3D13 DA9 S-A1A4C12 DD3 S-A1B1B05 DD6 S-A1B1D09 DD9 S-A1B1B12
 01A-B2V5B02 01A-B2U2D07 01A-B2U2B02 01A-B2U2D13 01S-A1B3B10 01A-B2V4D13 01A-B2V5B12 01A-B2V3D06 01A-B2V3D09 01A-B2V3B12
 01A-B2U5B02 01A-B2V2D07 01A-B2V2B02 01A-B2V2D13 DA3 S-A1A3B12 01A-B2T4D13 01A-B2U5B12 01A-B2T3D05 01A-B2T3D09 01A-B2T3B12
 01S-A1B4J02 01S-A1B2G06 01S-A1B2J02 01S-A1B2J13 01A-B2V4B12 01S-A1B3D13 01S-A1B4C12 01S-A1A1B05 01S-A1A1D09 01S-A1A1B12

F
C
0
6
1
000

ENTRY PAGE			
DATE	08-18-81	MACH.	3803-2
LOG	0051	FRAME	01
		P.N.	2736343
IBM CORP.	SDD	BLK.	DN

F
C
0
6
1
000

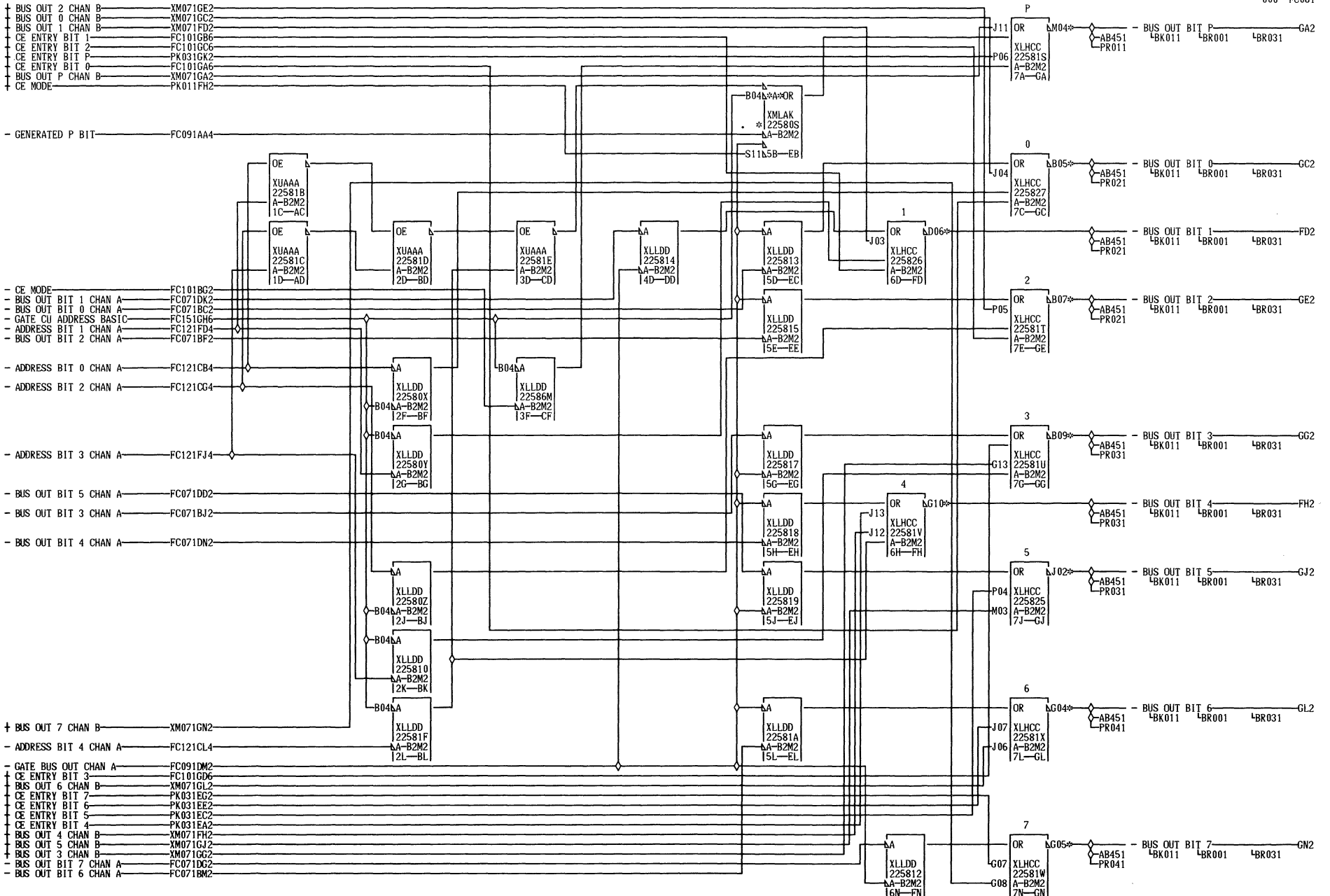


NOTE THIS CARD LOCATED
B2L2 ON MACHINES W⁰
EC 733814

FC
0
7
1
000

07-17-73 734098

CONVERTERS BUS OUT CHAN A		FC
DATE	08-18-81 MACH. 3803-2	0
LOG	0051 FRAME 01	7
	P.N. 2736344	1
IBM CORP. CO BLK.	FD	000

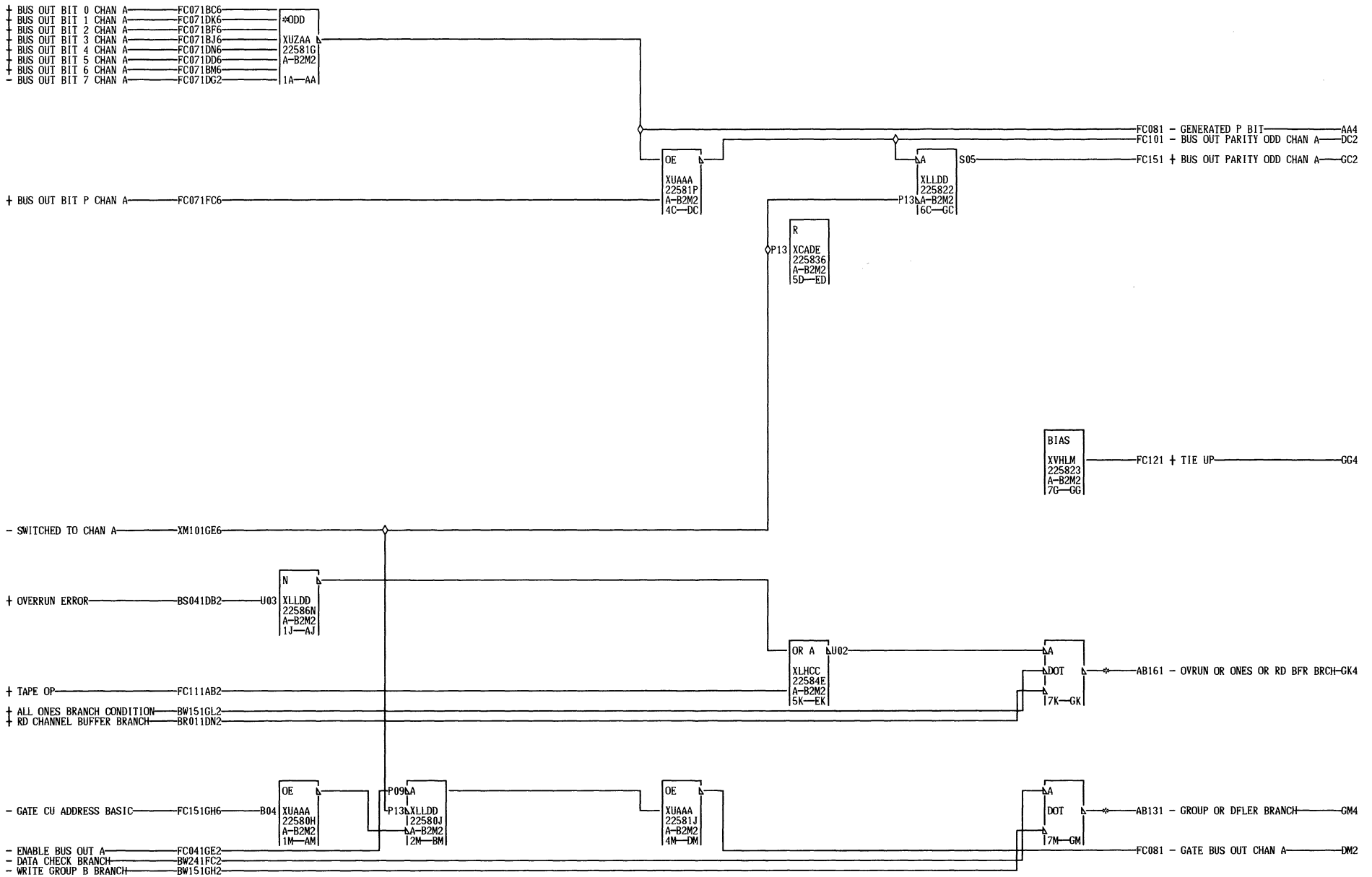


NOTE THIS CARD LOCATED
B2L2 MACHINES W/O

F	EC 733814	FD2 A-B2H1D13	01A-A1M1C13
C		01A-A1M1B13	GG2 A-B2J1B13
0		FH2 A-B2J1C13	01A-A1M1E13
8		01A-A1N1A13	GJ2 A-B2J1D13
1		GA2 A-B2H1A13	01A-A1M1B13
		01A-A1L1D13	GL2 A-B2K1A13
		GC2 A-B2H1C13	01A-A1N1D13
		01A-A1M1A13	GN2 A-B2K1B13
000		GE2 A-B2H1E13	01A-A1N1E13

07-17-73 734098

BUS OUT GATING CHANNEL A	
ADDRESS EMIT + PARITY GENERATE	
DATE	08-18-81 MACH. 3803-2
LOG	0051 FRAME 01
	P.N. 2736345
IBM CORP. CO BLK.	GP



NOTE THIS CARD LOCATED
B2L2 ON MACHINES W*O

F EC 733814
C
0
9
1

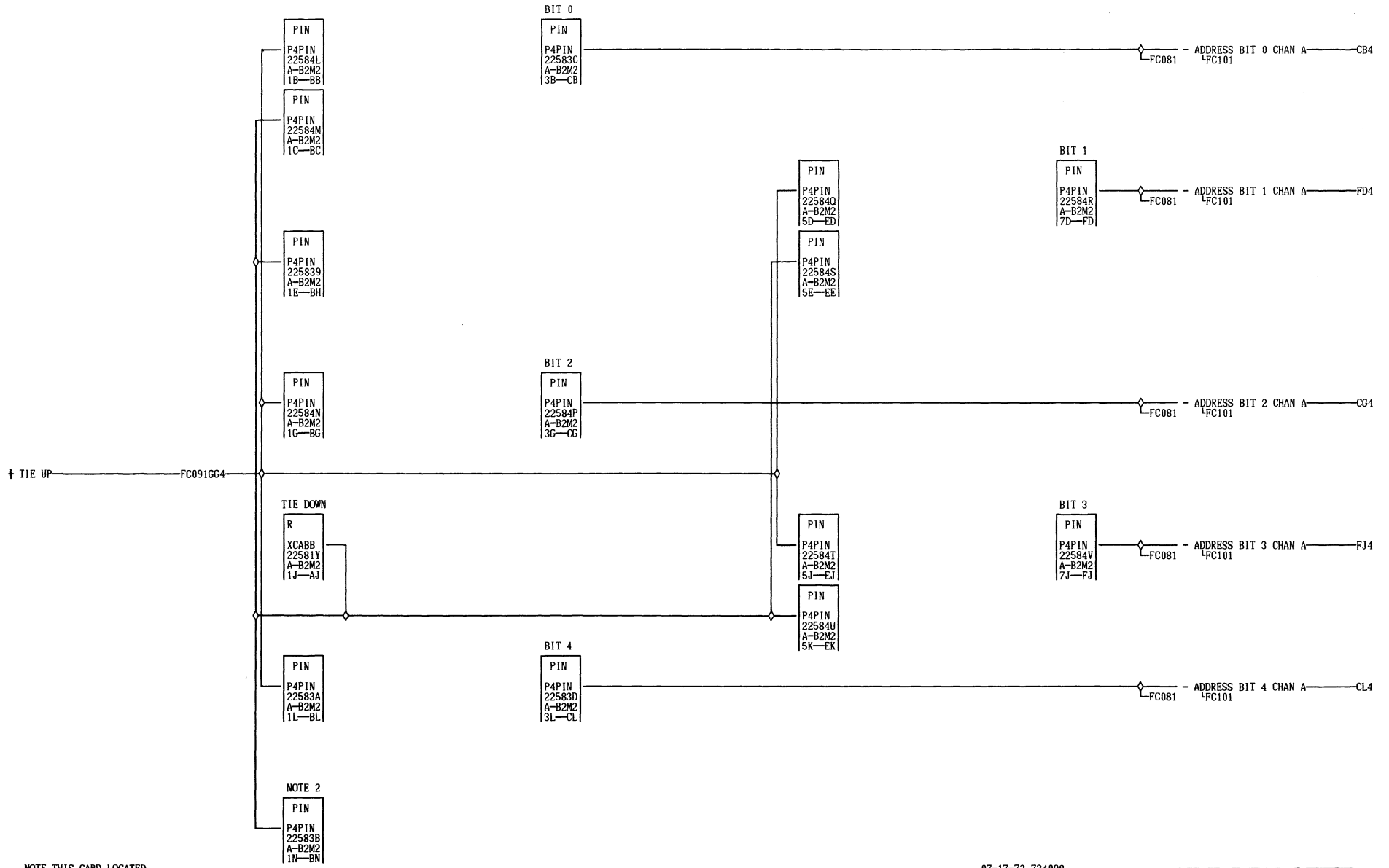
GK4 A-A1T1B11
01A-A2T1B11
01A-A2V5D11
01A-B2A5D11
GM4 A-A1S1A13
01A-B2G1A13

000

07-17-73 734098

BUS OUT CHECK			
DATE	08-18-81	MACH.	3803-2
LOG	0051	FRAME	01
		P.N.	2736346
IBM CORP.	CO	BLK.	GN

F
C
0
9
1
000

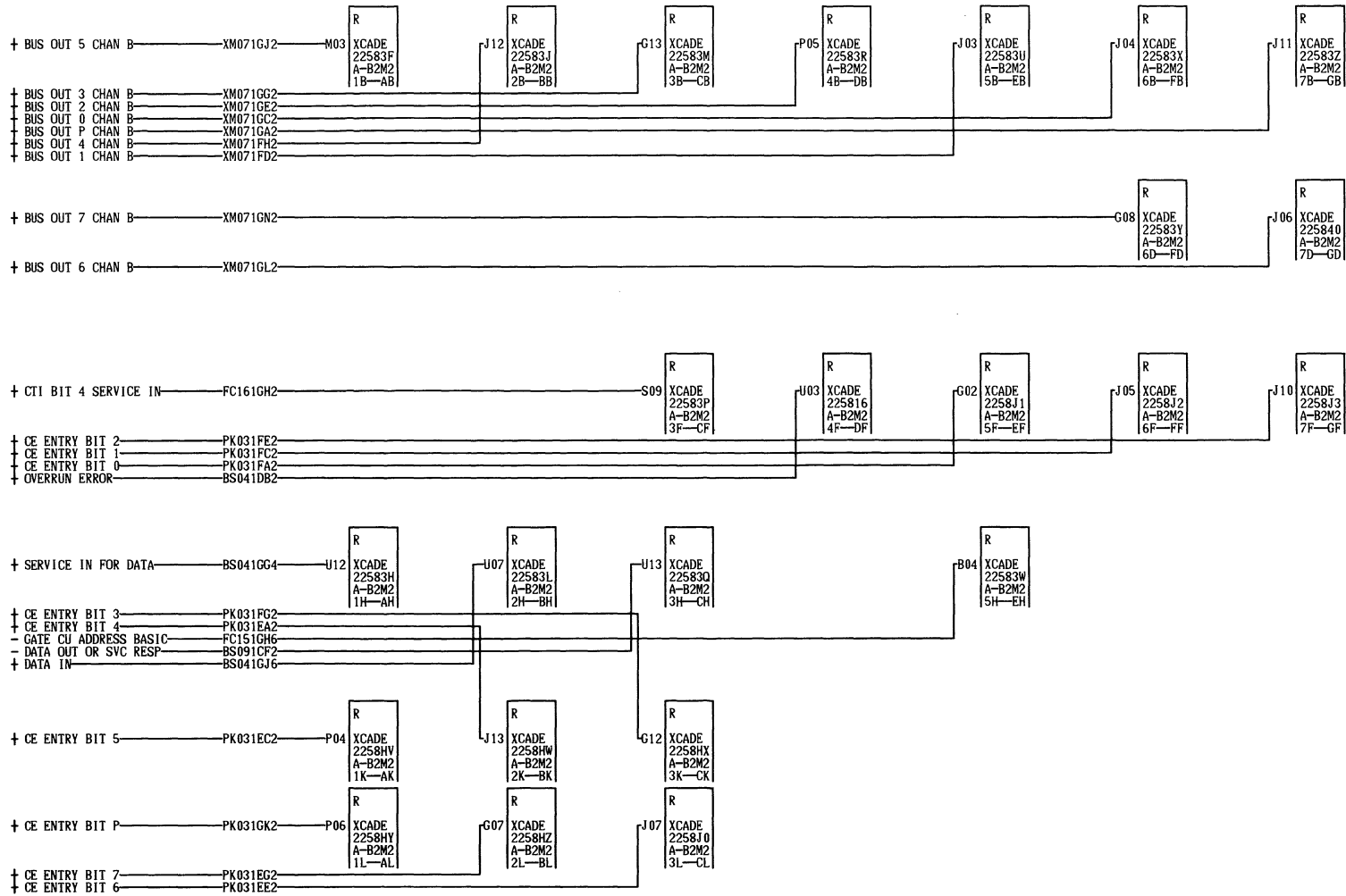


NOTE THIS CARD LOCATED
B2L2 ON MACHINES W/O
F EC 733814
C NOTE JUMPER ACCORDING
1 TO INSTALLATION MANUAL
2 OR LOGIC AA010
1

000

07-17-73 734098

CONTROL UNIT ADDRESS JUMPERS				F
DATE	08-18-81	MACH.	3803-2	1
LOG	0051	FRAME	01	2
				1
		P.N.	2736349	000
IBM CORP.	CO	BLK.	GM	



07-17-73 734098

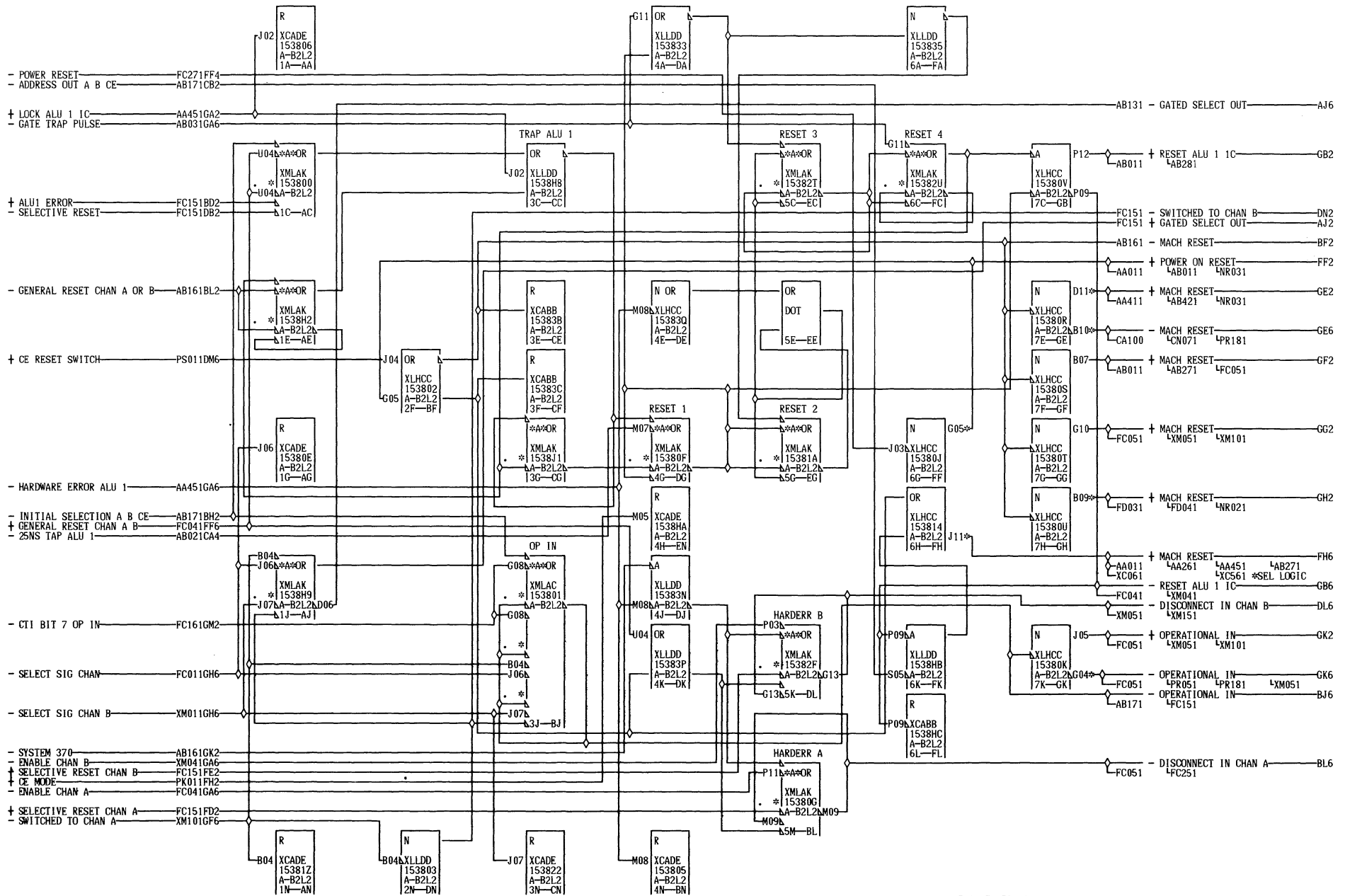
F
C
1
3
1

000

TERMINATING RESISTORS			
DATE	08-18-81	MACH.	3803-2
LOG	0051	FRAME	01
		P.N.	2736350
IBM CORP.	CO	BLK.	GG

F
C
1
3
1

000



F
C
1
4
1
000

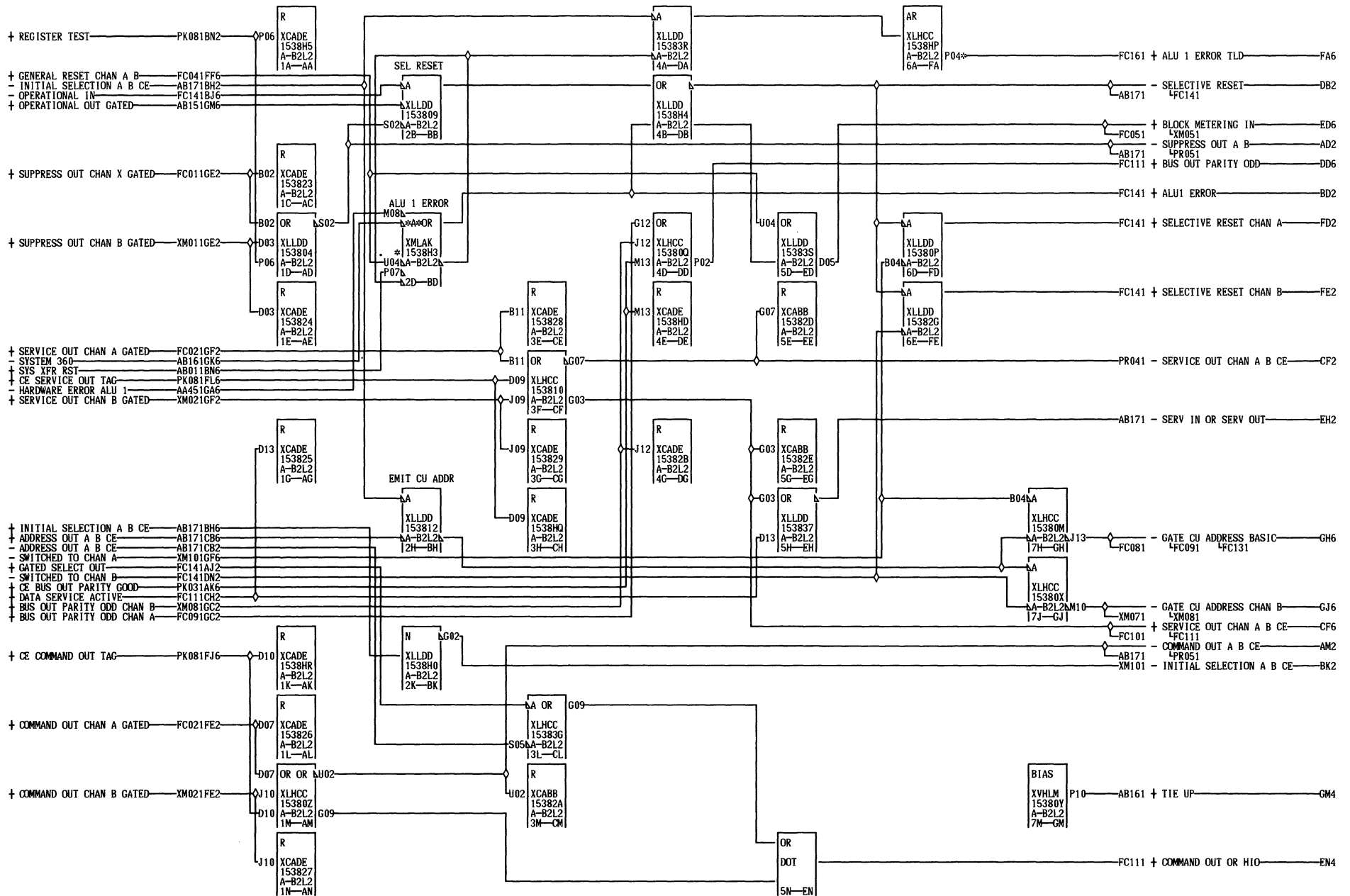
FF2 A-B2A5B12 01X-Y1U1C13
 01A-A2V5B12 GH2 A-B2A3D06
 FH6 A-B2A2D13 01A-A2V3D06
 01A-A2V2D13 GK6 A-B2E1D13
 GE2 A-B2A3D13 01A-A1Q1D13
 01A-A2V3D13
 GE6 A-B2E1E11
 01A-A1Q1E11
 01A-A1C1A13

B04 XCADE 15381Z A-B2L2 1N-AN
 B04 XLLDD 153803 A-B2L2 2N-DN
 J07 XCADE 153822 A-B2L2 3N-CN
 M08 XCADE 153805 A-B2L2 4N-BN

07-17-73 734098

INITIAL SELECTION			
RESETS			
DATE	07-20-81	MACH.	3803-2
LOG	0051	FRAME	01
		P.N.	2736351
IBM CORP. SDD BLK.			GN

F
C
1
4
1
000

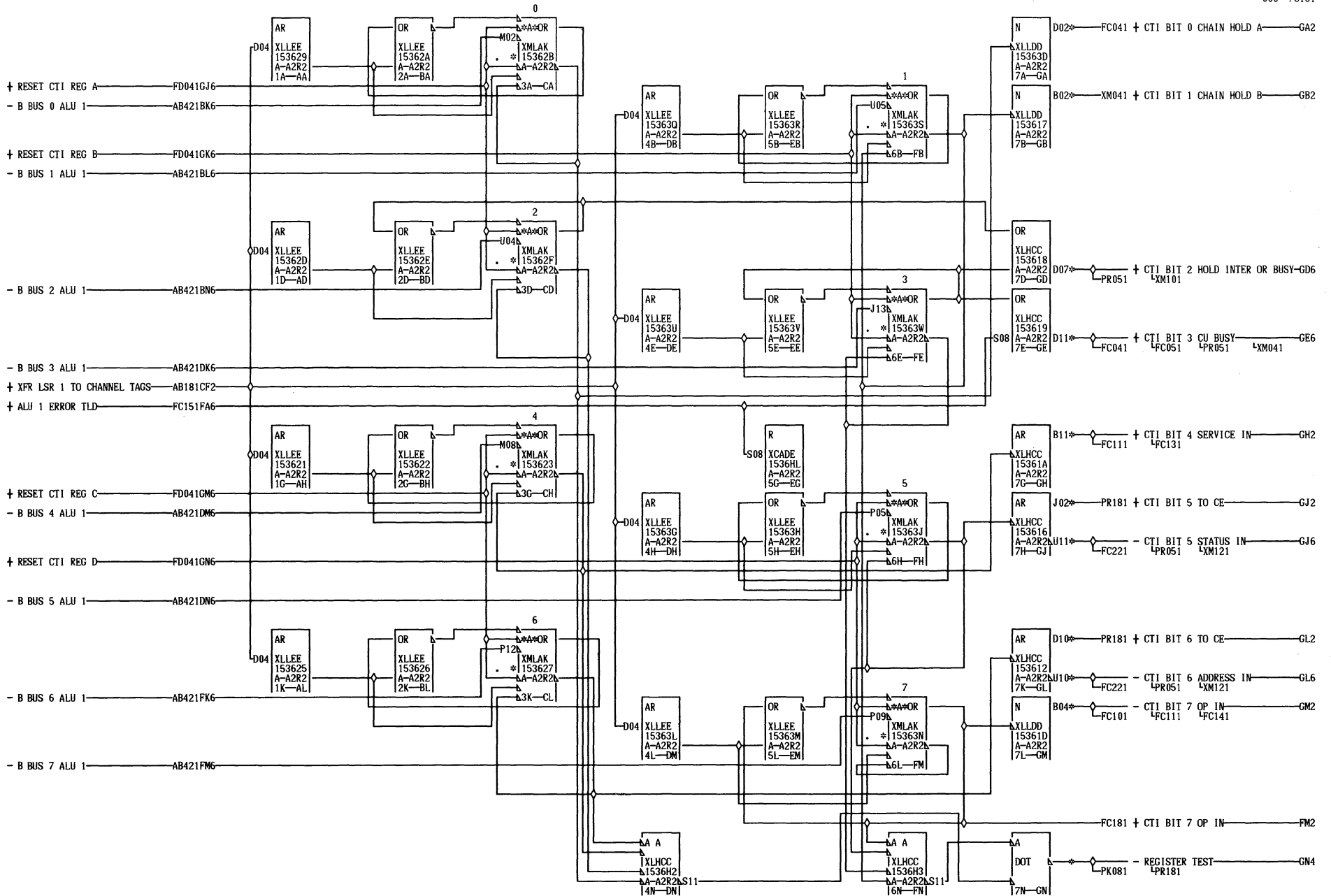


FA6 A-B2B5B13
01A-A2U5B13

07-17-73 734098

RESET			FC
EMIT ADDRESS			1
DATE	07-20-81	MACH. 3803-2	1
LOG	0051	FRAME 01	5
		P.N. 2736352	1
IBM CORP.	SDD BLK.	GN	000

FC151
000

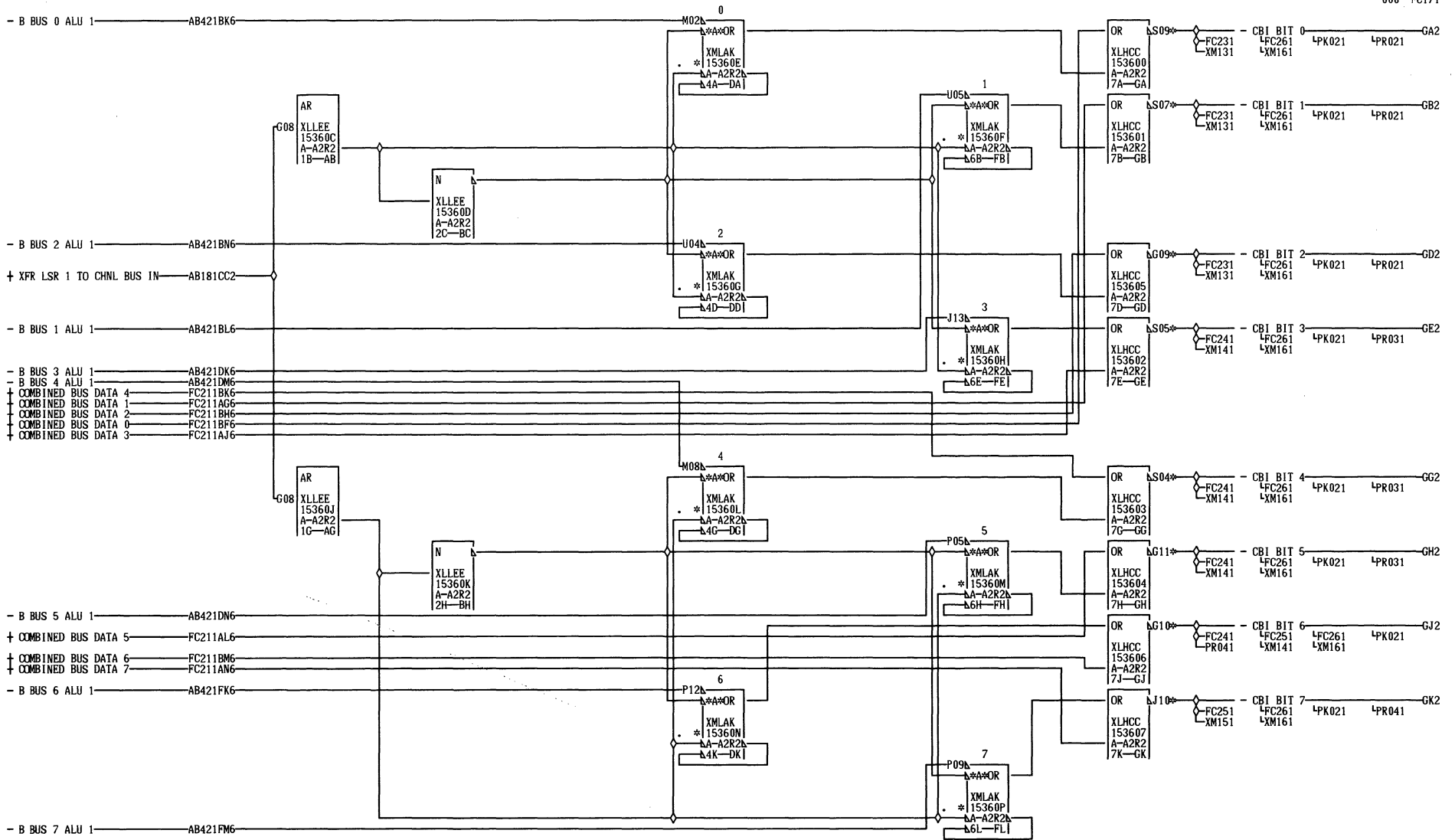


F
C
1
6
1
000

GA2 A-A2V4B02 01A-B2A4B08 GM2 A-A2V4B12
 01A-B2A4B02 GJ2 A-A2B2B12 01A-B2A4B12
 GB2 A-A2V4B04 01A-A1A5B12 GN4 A-A2D1C11
 01A-B2A4B04 GJ6 A-A2V4B09 01A-A1Q6C02
 GD6 A-A2V4B05 01A-B2A4B09
 01A-B2A4B05 GL2 A-A2B2B13
 GE6 A-A2V4B06 01A-A1A5B13
 01A-B2A4B06 GL6 A-A2V4B10
 GH2 A-A2V4B08 01A-B2A4B10

07-17-73 734098
 12-06-73 734879

CHANNEL TAGS IN REGISTER			
DATE	07-28-81	MACH.	3803-2
LOG	0045	FRAME	01
		P.N.	2736353
IBM CORP.	SDD BLK.	GP	000



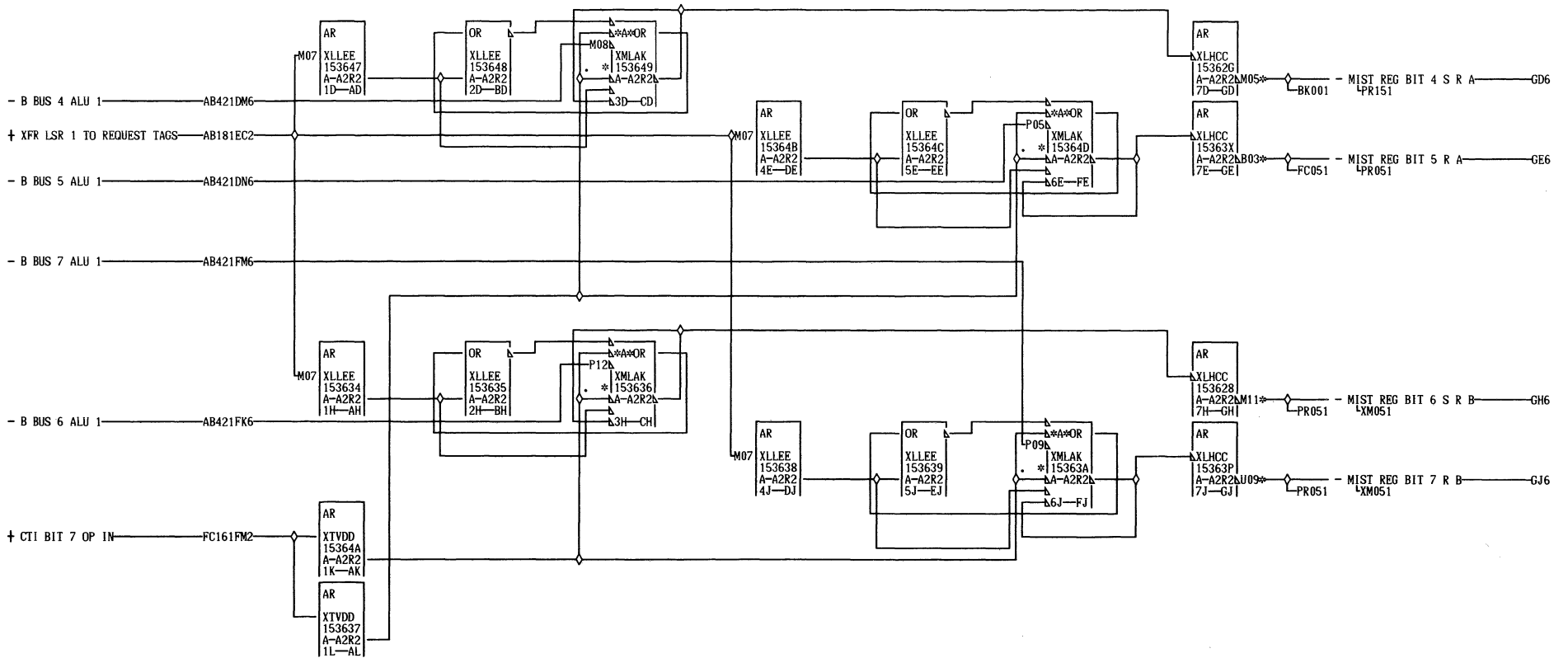
F
C
1
7
1
000

GA2 A-A2P1E13	01A-A1Q6C04	01A-A1U6B04	01A-B2N1B13
01A-A1P6E04	01A-A1T6D04	01A-B2M1E13	GK2 A-A2R1E13
01A-A1T6A04	01A-B2M1B13	GH2 A-A2R1B13	01A-A1R6E04
01A-B2L1D13	GE2 A-A2Q1D13	01A-A1R6B04	01A-A1V6A04
GB2 A-A2Q1B13	01A-A1Q6D04	01A-A1U6C04	01A-B2N1D13
01A-A1Q6B04	01A-A1T6E04	01A-B2N1A13	
01A-A1T6C04	01A-B2M1C13	GJ2 A-A2R1C13	
01A-B2M1A13	GC2 A-A2R1A13	01A-A1R6C04	
GD2 A-A2Q1C13	01A-A1R6A04	01A-A1U6D04	

07-17-73 734098
12-06-73 734879

CHANNEL BUS IN REGISTER		
DATE	07-28-81 MACH.	3803-2
LOG	0045 FRAME	01 7 1
P.N.		2736354
TBM CORP.	SDD BLK.	GL

F
C
1
7
1
000

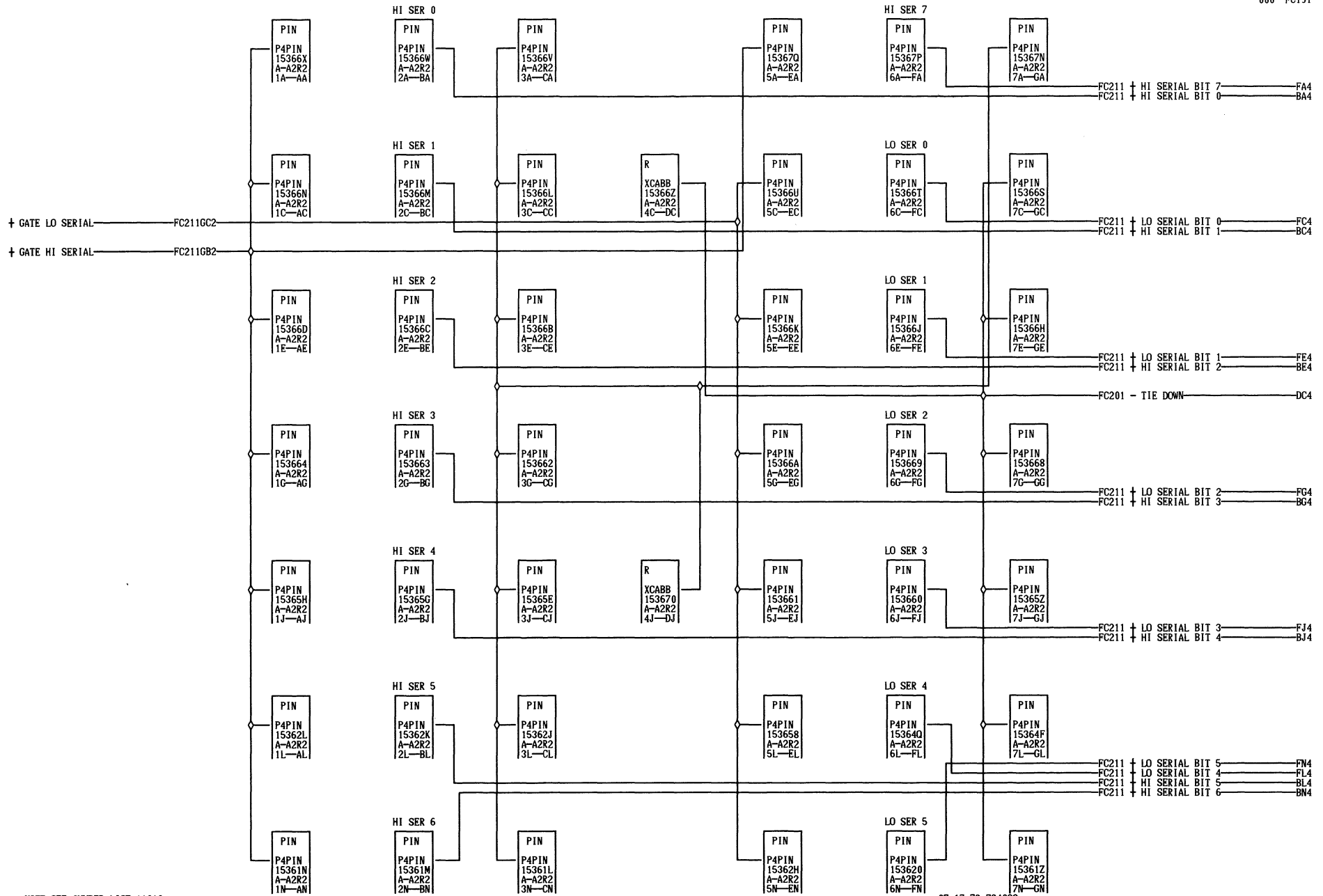


F
C
1
8
1
000

GD6 A-A2E1E11
01A-A1E6E02
GE6 A-A2V4D02
01A-B2A4D02
GH6 A-A2V4D03
01A-B2A4D03
GJ6 A-A2V4D05
01A-B2A4D05

07-17-73 734098
12-06-73 734879

MULTI-INTERFACE TAGS MIST			
DATE	07-28-81	MACH.	3803-2
LOG	0045	FRAME	01
		P.N.	2736355
IBM CORP.	SDD BLK.		GK



NOTE SEE JUMPER LIST AA010

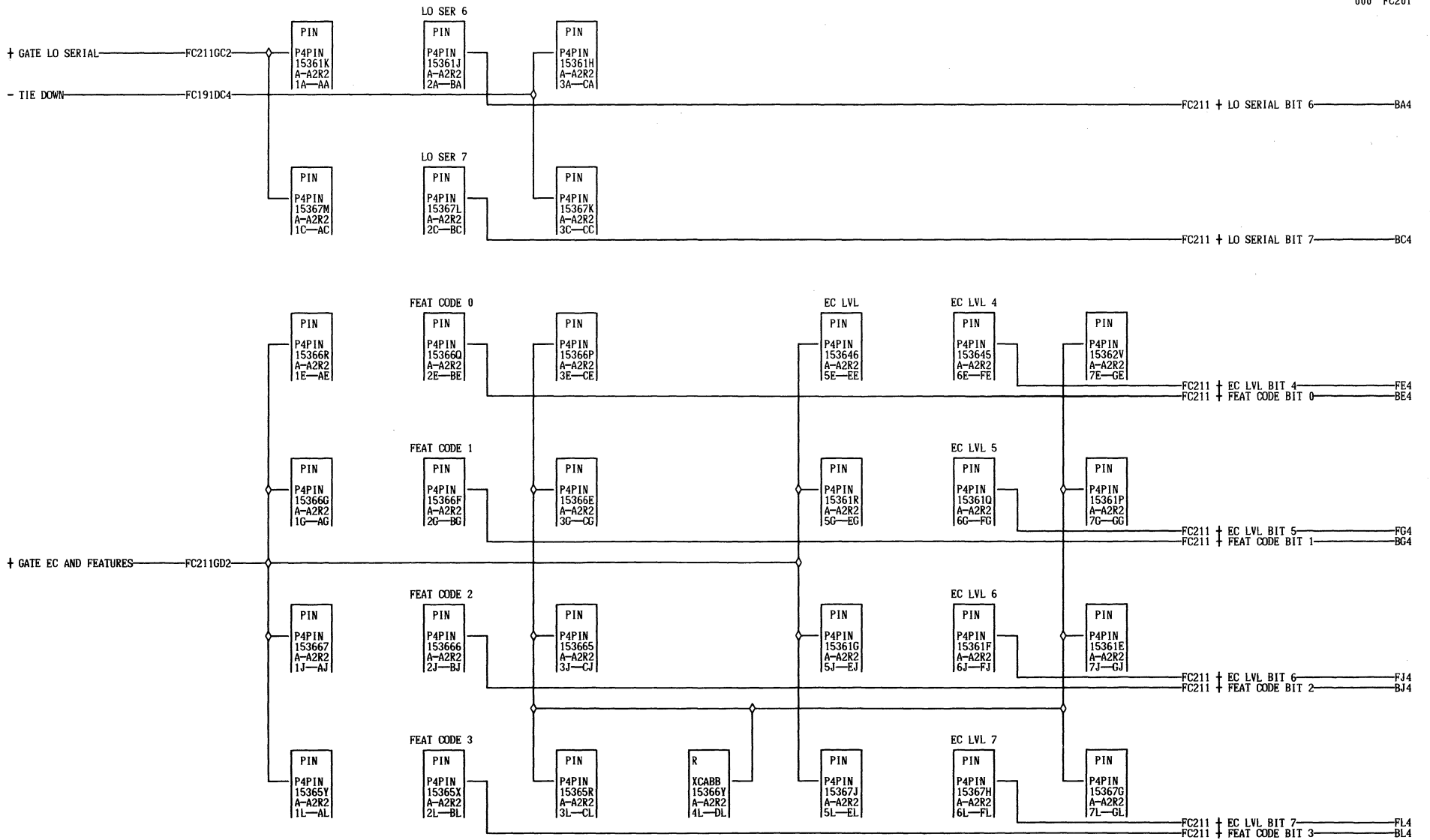
07-17-73 734098

F
C
1
9
1

000

PROGRAM PIN JUMPERS			
TCU SERIAL NUMBER			
DATE	07-28-81	MACH.	3803-2
LOG	0051	FRAME	01
		P.N.	2736356
IBM CORP.	SDD BLK.	GP	000

F
C
1
9
1



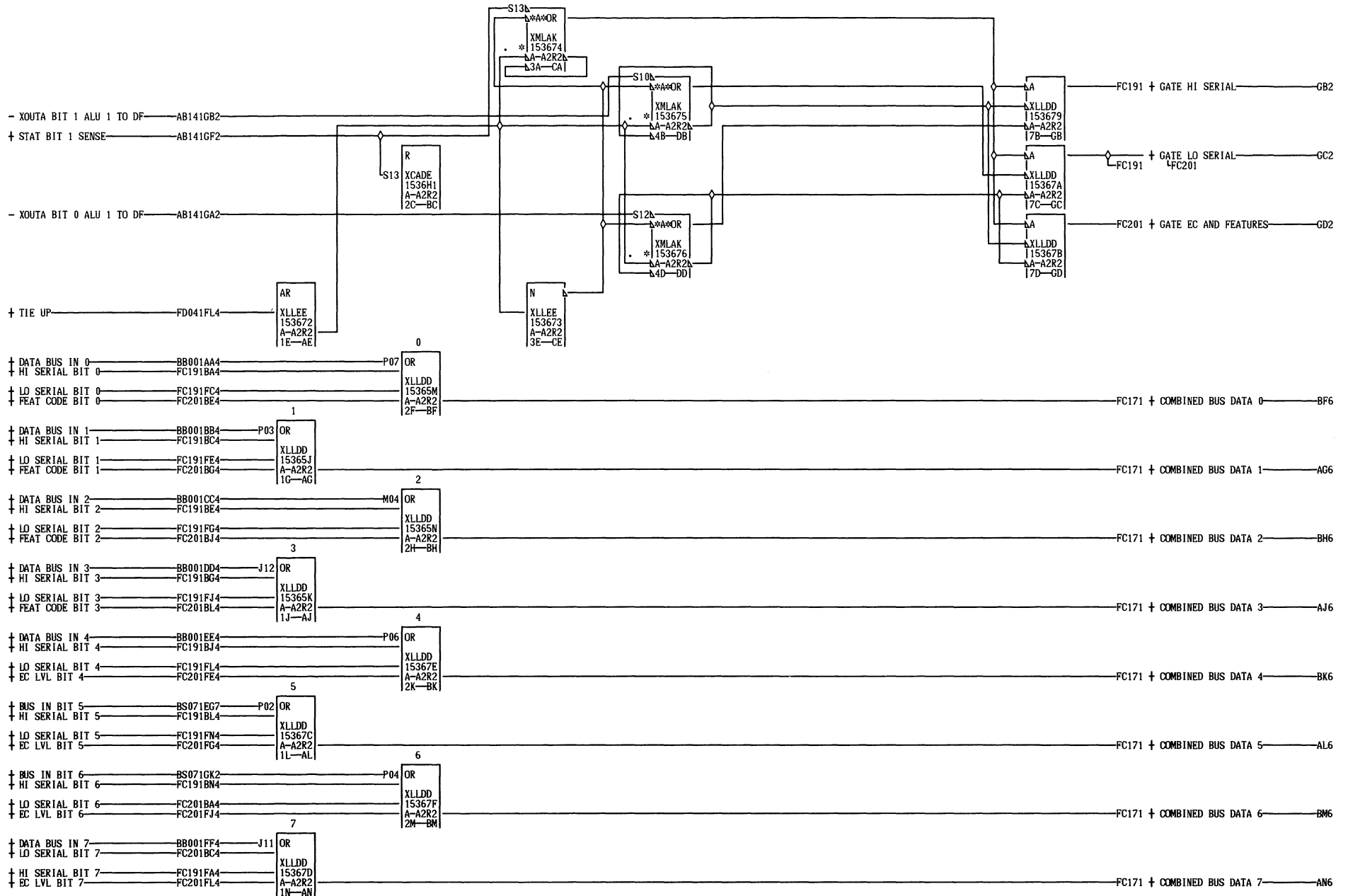
NOTE SEE JUMPER LIST AA010

07-17-73 734098

F
C
2
0
1

000

PROGRAM PIN JUMPERS			
EC LEVEL AND FEAT CODE			
DATE	07-28-81	MACH.	3803-2
LOG	0051	FRAME	01
P.N.			2736357
IBM CORP.	SDD BLK.	GM	000

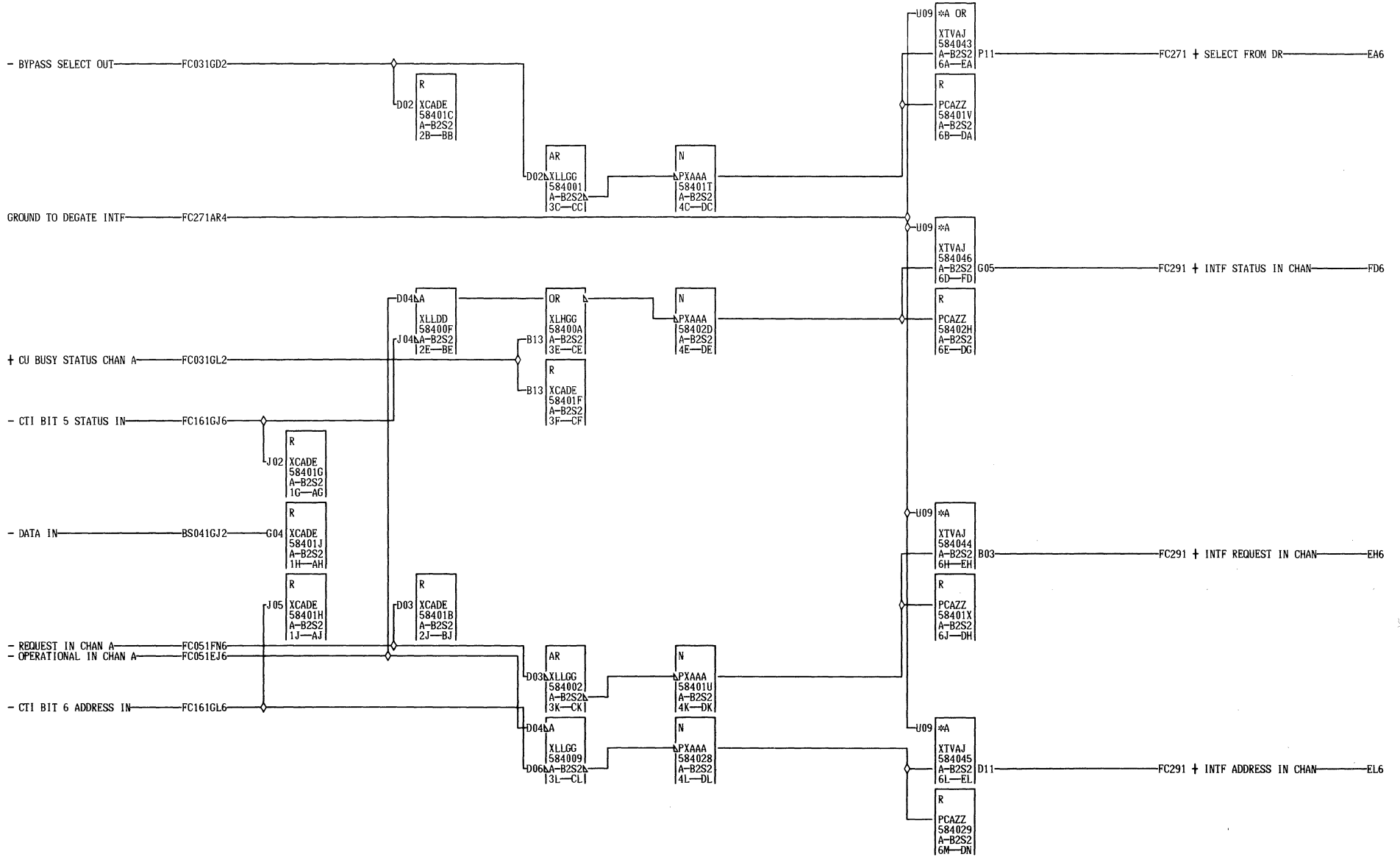


07-17-73 734098

F
C
2
1
1

000

BUS IN GATING			
BUS IN ASSEMBLER			
DATE	07-28-81	MACH. 3803-2	F
LOG	0051	FRAME 01	C
		P.N. 2736358	2
			1
			1
IBM CORP.	SDD BLK.	GE	000



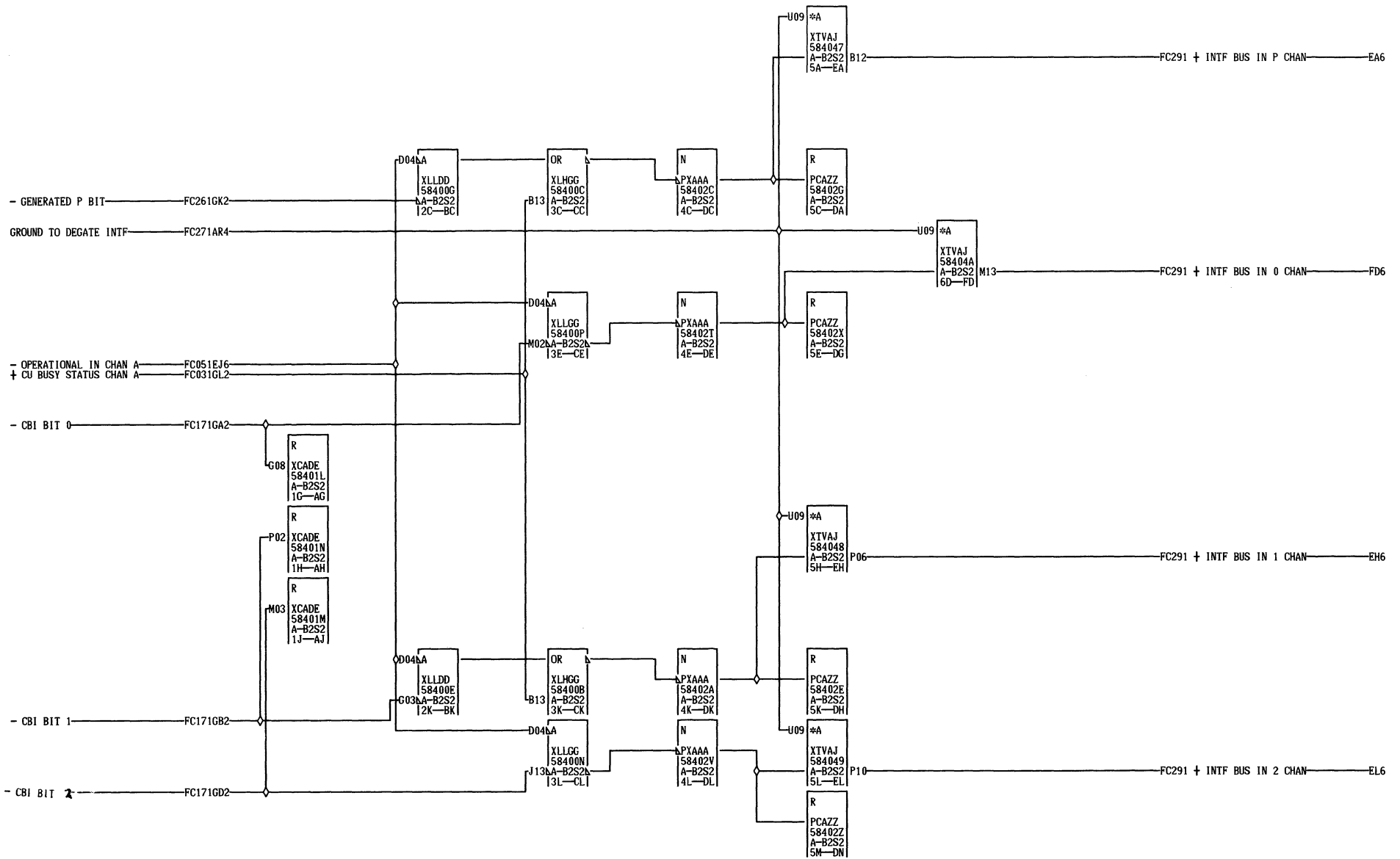
07-17-73 734098

FC221

000

INTERFACE DRIVERS PAGE 1			
DATE	08-18-81	MACH.	3803-2
LOG	0051	FRAME	01
		P.N.	2736359
IBM CORP.	SDD BLK.	GP	000

FC221

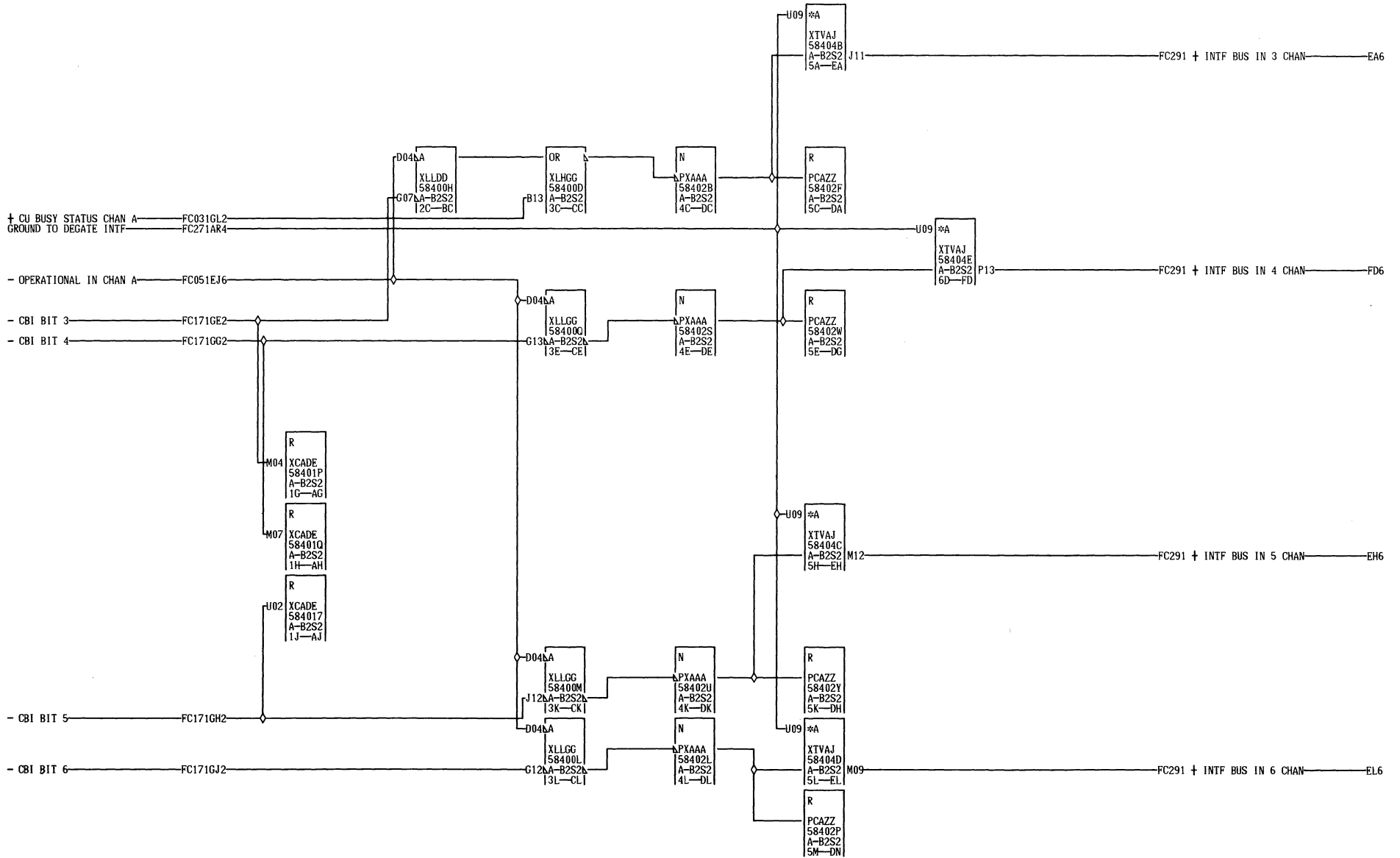


07-17-73 734098

FC231
000

INTERFACE DRIVERS PAGE 2			
DATE	08-18-81	MACH.	3803-2
LOG	0051	FRAME	01
		P.N.	2736360
IBM CORP.	SDD BLK.	GP	000

FC231
000

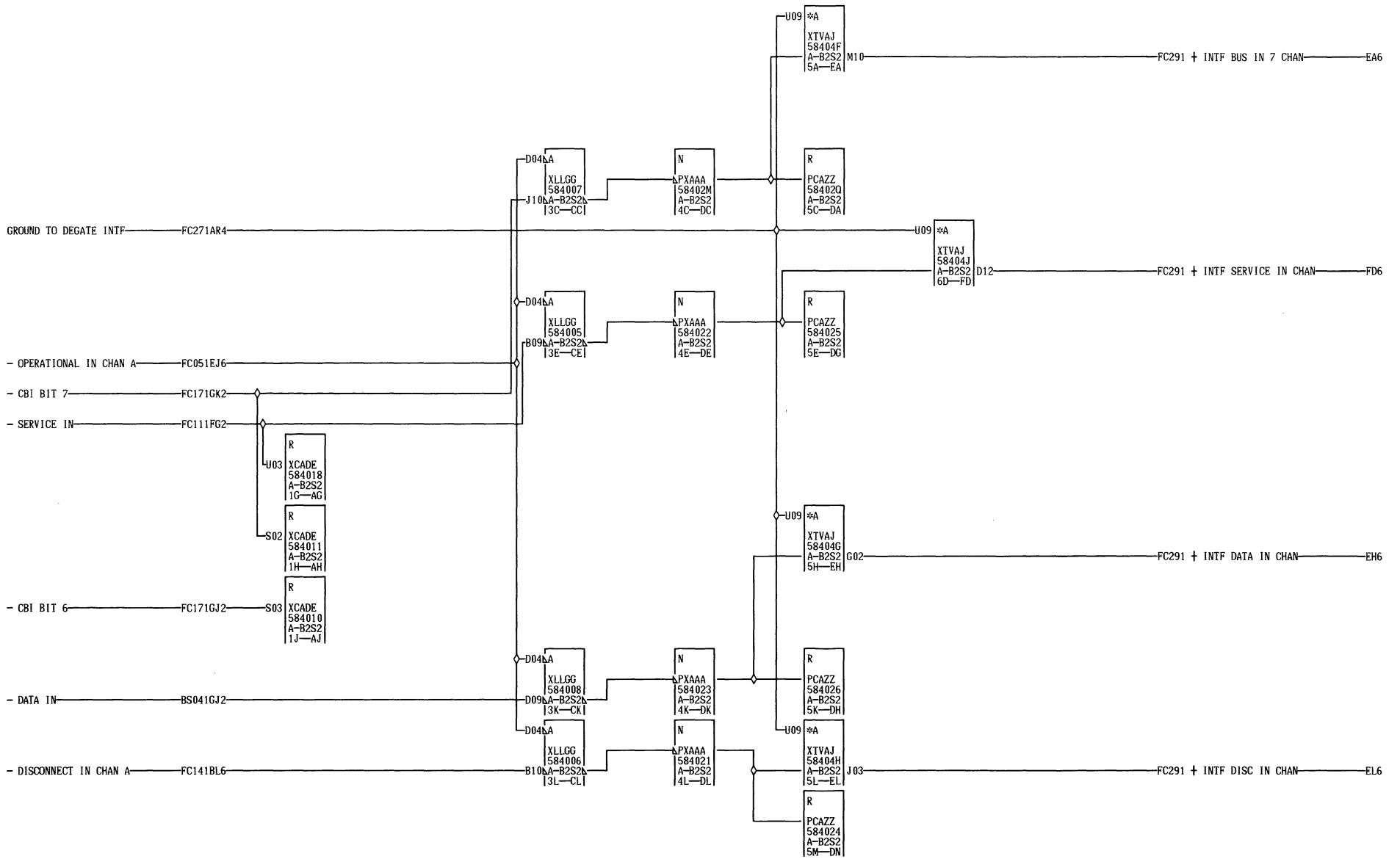


07-17-73 734098

F
C
2
4
1
000

INTERFACE DRIVERS PAGE 3			
DATE	08-18-81	MACH.	3803-2
LOG	0051	FRAME	01
		P.N.	2736361
IBM CORP.	SDD	BLK.	GP

F
C
2
4
1
000

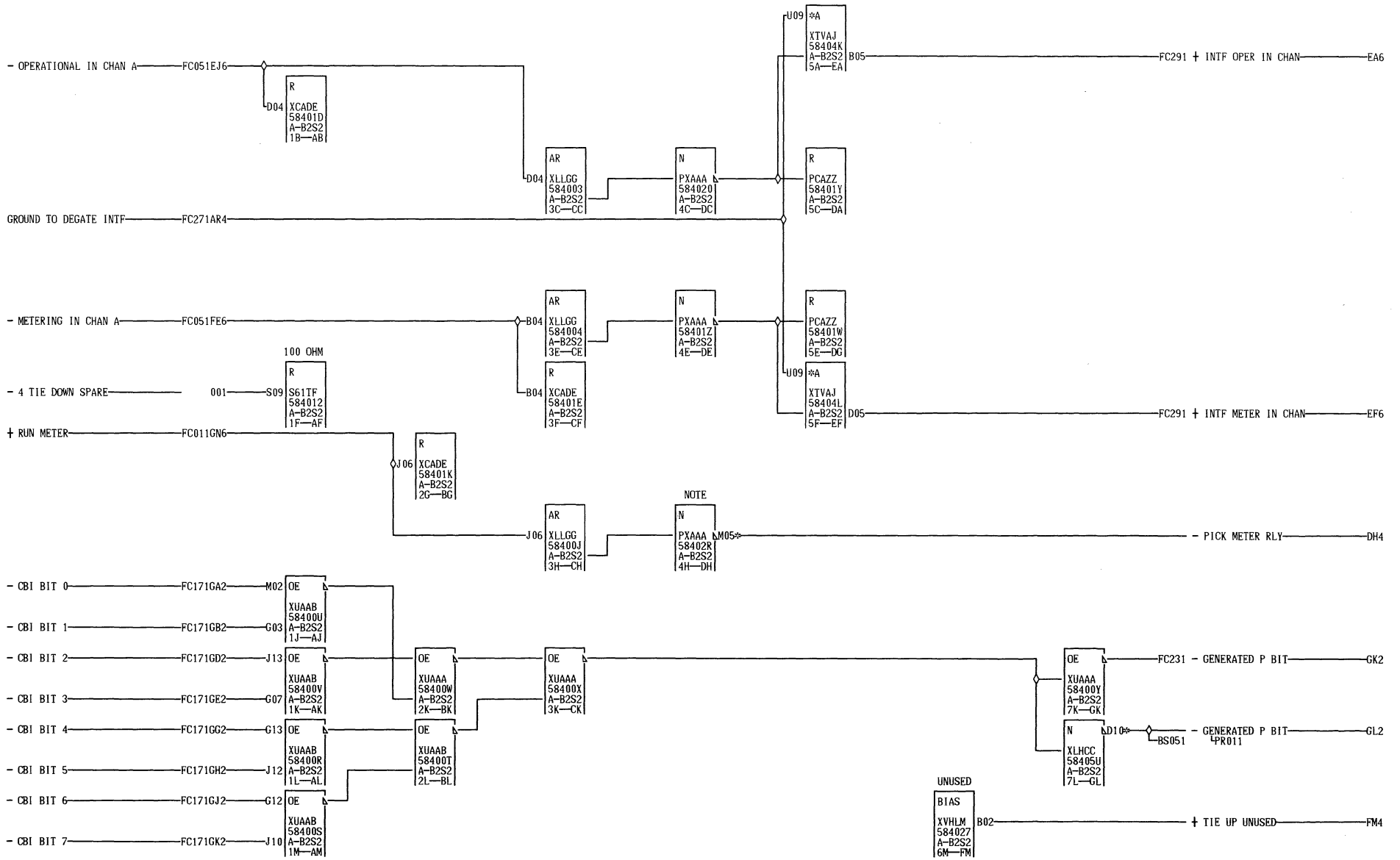


07-17-73 734098

FC251
000

INTERFACE DRIVERS PAGE 4			
DATE	08-18-81	MACH.	3803-2
LOG	0051	FRAME	01
		P.N.	2736362
IBM CORP.	SDD	BLK.	GP

FC251
000



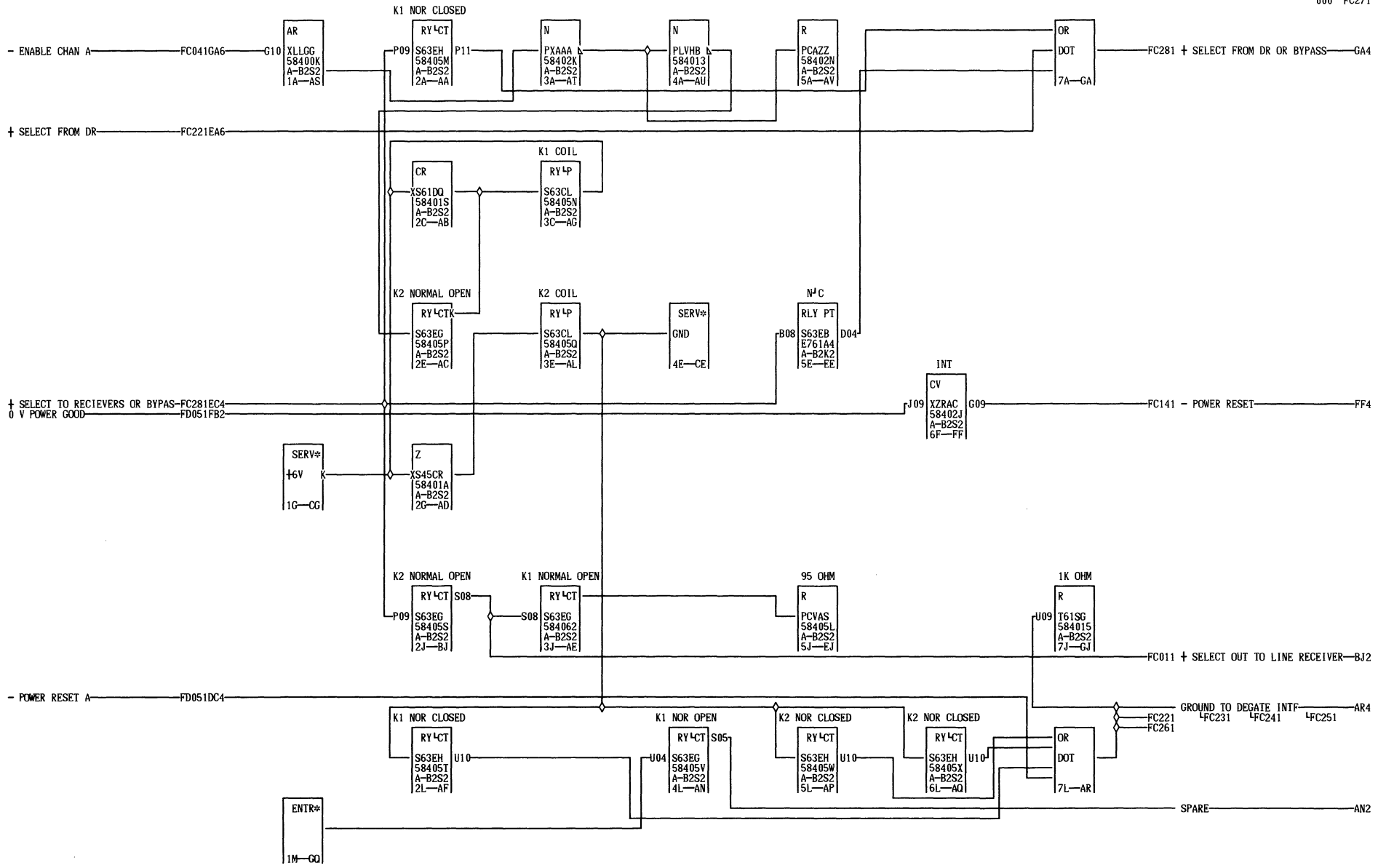
NOTE
NET FC261DH4 GOES
F TO PAGE YF033
C
2
6
1
000

DH4 A-B2E6E02
GL2 A-B2C1D13
01A-A1K1A13

07-17-73 734098
04-22-74 734877

INTERFACE DRIVERS PAGE 5			
DATE	08-18-81	MACH.	3803-2
LOG	0J14	FRAME	01
		P.N.	2736363
IBM CORP.	SDD	BLK.	GM

F
C
2
6
1
000

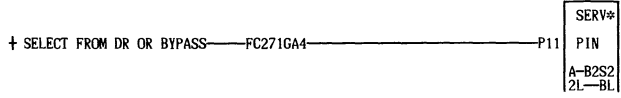
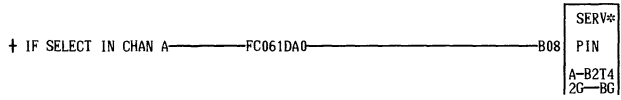
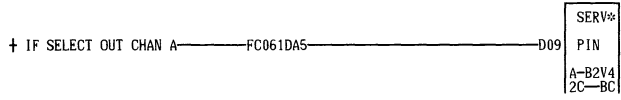


07-17-73 734098
 09-17-73 734107
 06-30-79 846171

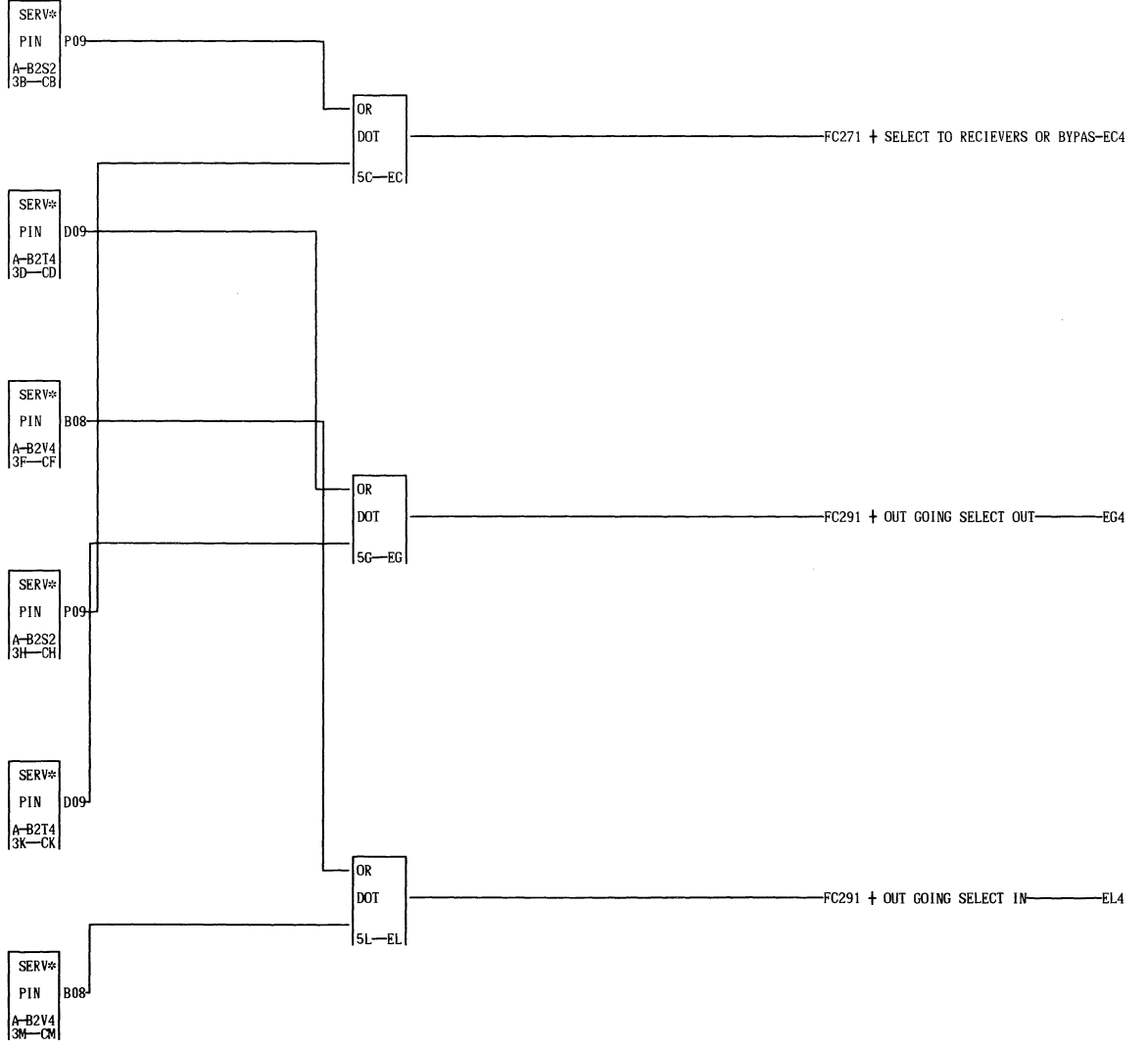
SELECT OUT BYPASS RELAY			
DATE	08-18-81	MACH.	3803-2
LOG	0847	FRAME	01
P.N.		2736364	
IBM CORP.	SDD	BLK.	GR

FC271

FC271



NOTE 1



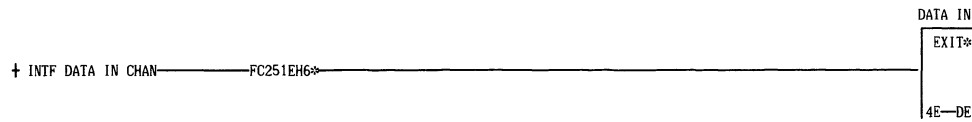
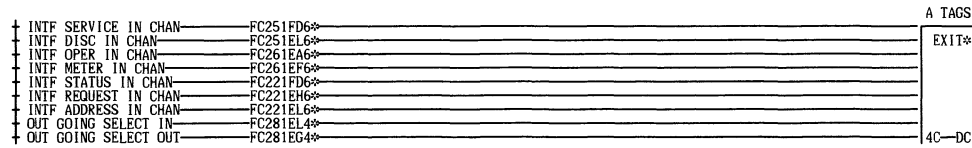
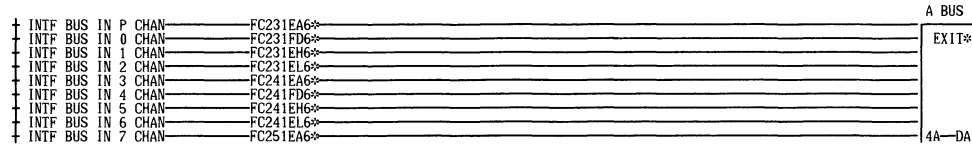
NOTE 1
HIGH PRIORITY WIRE B2V4D09 TO
F B2S2P09 AND B2T4B08 TO B2V4B08
C AND B2S2P11 TO B2T4D09
2 LOW PRIORITY WIRE B2V4D09 TO
8 B2T4D09 AND B2T4B08 TO B2S2P09
1 AND B2S2P11 TO B2V4B08

000

07-17-73 734098

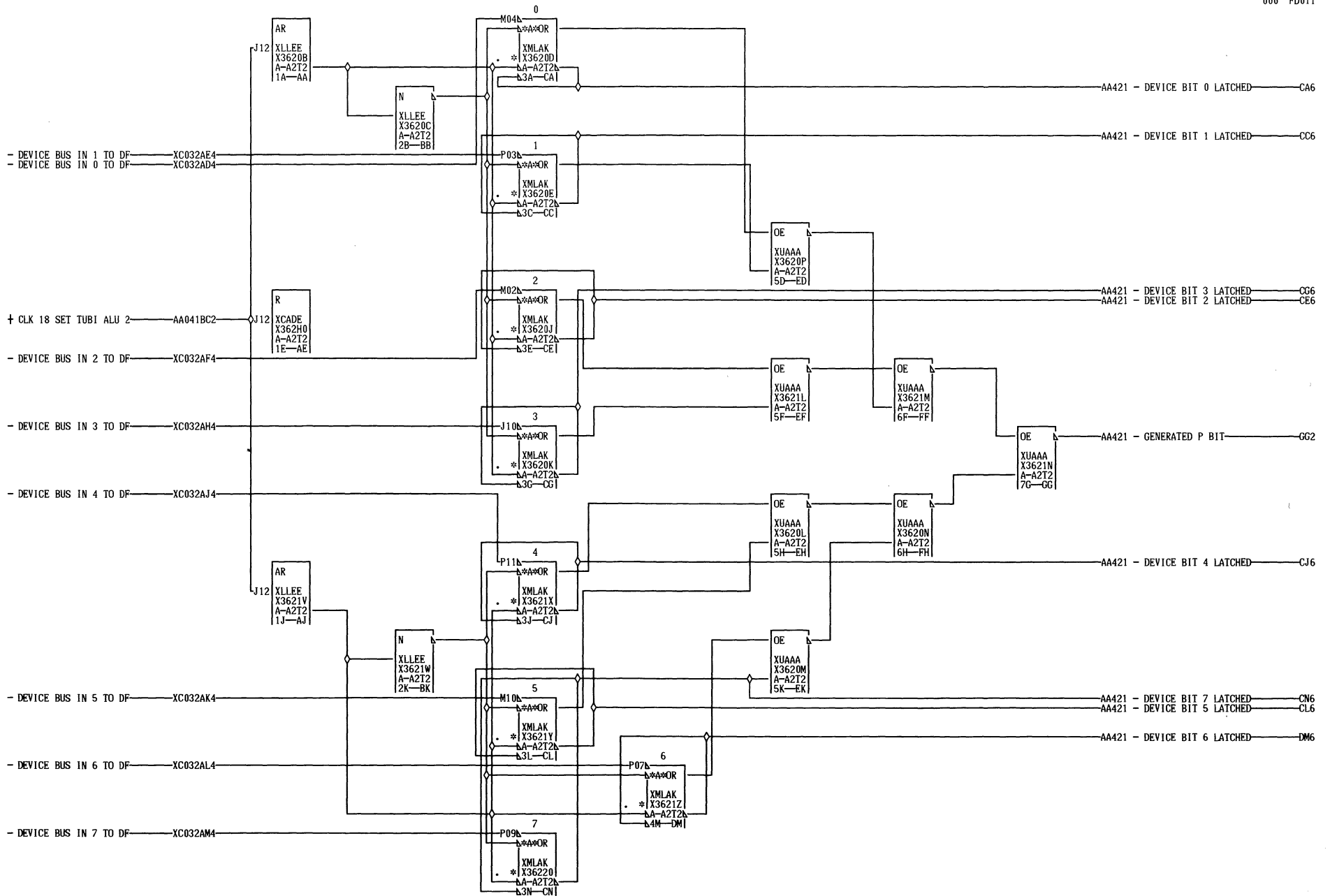
PRIORITY JUMPING CHAN A			
DATE	08-18-81	MACH.	3803-2
LOG	0051	FRAME	01
		P.N.	2736365
IBM CORP.	SDD	BLK.	EM

F
C
2
8
1
000



F	FC221EH6	FC221FD6	FC231EH6	FC231FD6	FC241EH6	FC241FD6	FC251EH6	FC251FD6	FC261EF6	01S-A1A3B08 07-17-73 734098
C	01A-B2V5B06	01A-B2V4B04	01A-B2U2D05	01A-B2U2B04	01A-B2U2B10	01A-B2U2D09	01S-A1A4G08	01A-B2V4B06	01A-B2V5D05	
2	01S-A1A4J06	01S-A1A3D04	01S-A1A2G05	01S-A1A2J04	01S-A1A2G10	01S-A1A2J09	01A-B2V5B08	01S-A1A3D06	01S-A1A4G05	
9	01A-B2U5B06	01A-B2T4B04	01A-B2V2D05	01A-B2V2B04	01A-B2V2B10	01A-B2V2D09	01A-B2U5B08	01A-B2T4B06	01A-B2U5D05	
1	01S-A1B4J06	01S-A1B3D04	01S-A1B2G05	01S-A1B2J04	01S-A1B2G10	01S-A1B2J09	01S-A1B4G08	01S-A1B3D06	01S-A1B4G05	
000	FC221EL6	FC231EA6	FC231EL6	FC241EA6	FC241EL6	FC251EA6	FC251EL6	FC261EA6	FC281EG4	
	01A-B2V4D05	01A-B2U2D03	01A-B2U2B06	01A-B2U2B08	01A-B2U2D11	01A-B2U2B12	01A-B2V5D11	01A-B2V4D03	01A-B2T4D09	
	01S-A1A3B05	01S-A1A2G03	01S-A1A2J06	01S-A1A2G08	01S-A1A2J11	01S-A1A2G12	01S-A1A4J11	01S-A1A3B03	01S-A1B3D09	
	01A-B2T4D05	01A-B2V2D03	01A-B2V2B06	01A-B2V2B08	01A-B2V2D11	01A-B2V2B12	01A-B2U5D11	01A-B2T4D03	FC281EL4	
	01S-A1B3B05	01S-A1B2G03	01S-A1B2J06	01S-A1B2G08	01S-A1B2J11	01S-A1B2G12	01S-A1B4J11	01S-A1B3B03	01A-B2V4B08	

I/O INTERFACE	
EXIT PAGE	
DATE	08-18-81 MACH. 3803-2
LOG	0051 FRAME 01
P.N. 2736366	
IBM CORP.	SDD BLK. DH



- DEVICE BUS IN 1 TO DF XC032AF4
 - DEVICE BUS IN 0 TO DF XC032AD4

+ CLK 18 SET TUB1 ALU 2 AA041BC2
 - DEVICE BUS IN 2 TO DF XC032AF4

- DEVICE BUS IN 3 TO DF XC032AH4

- DEVICE BUS IN 4 TO DF XC032AJ4

- DEVICE BUS IN 5 TO DF XC032AK4

- DEVICE BUS IN 6 TO DF XC032AL4

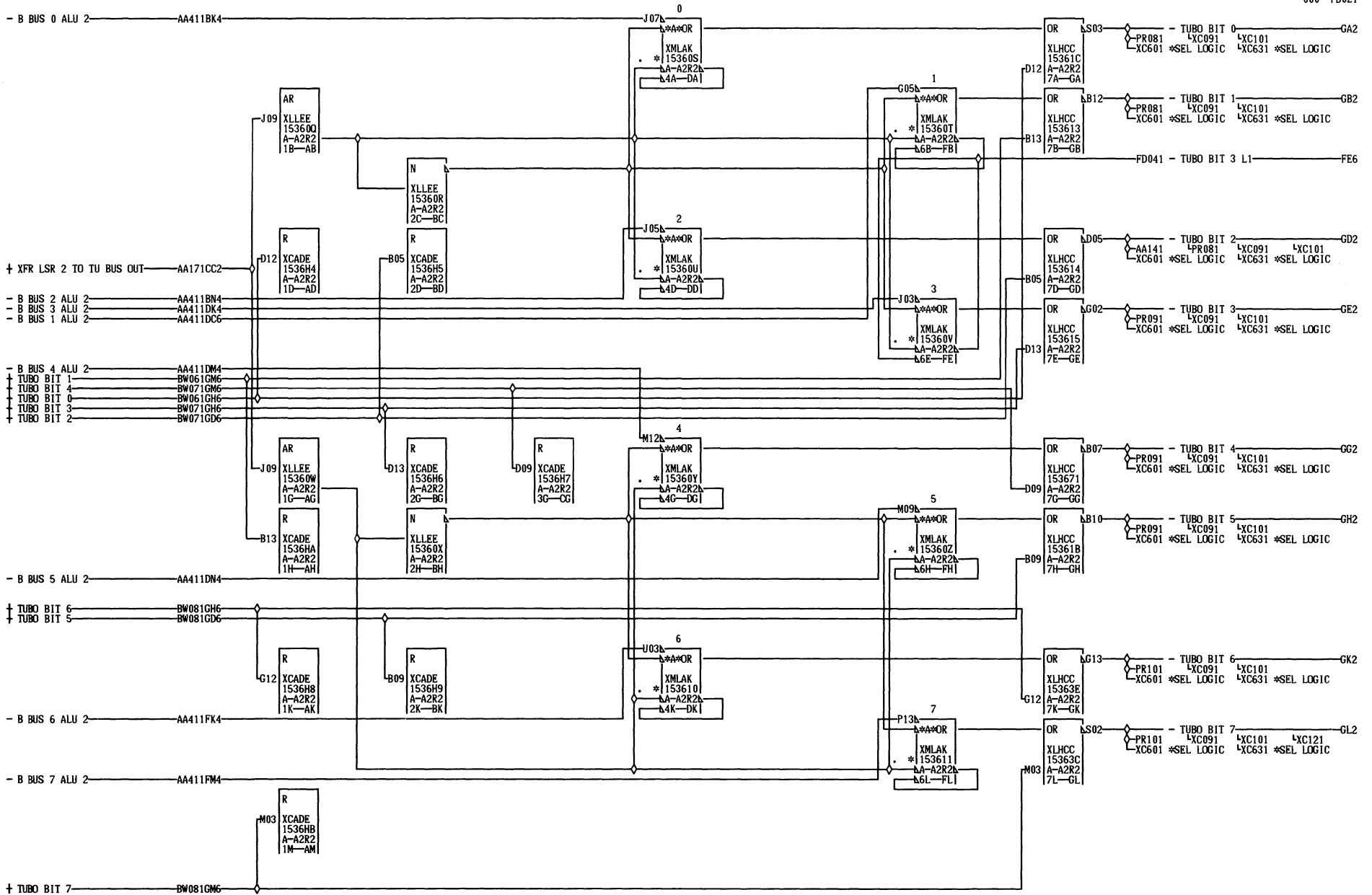
- DEVICE BUS IN 7 TO DF XC032AM4

07-17-73 734098
 12-06-73 734879

SPECIAL REGISTER		
TU BUS IN OR HDWR ERRORS		
DATE	07-28-81	MACH. 3803-2
LOG	0055 FRAME	01
P.N.		2736367
IBM CORP.	SDD BLK.	GH

F
D
0
1
1
000

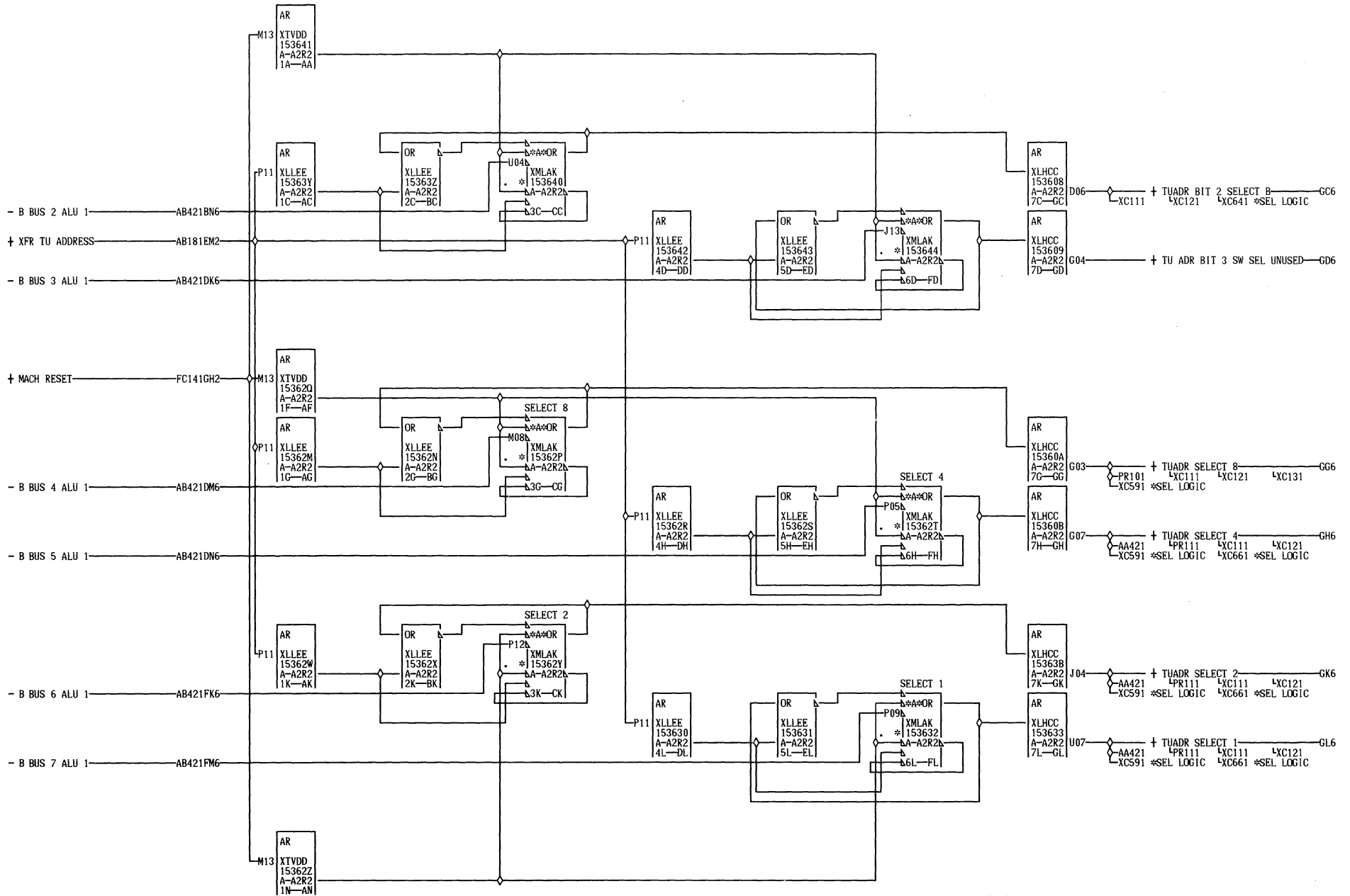
F
D
0
1
1
000



07-17-73 734098

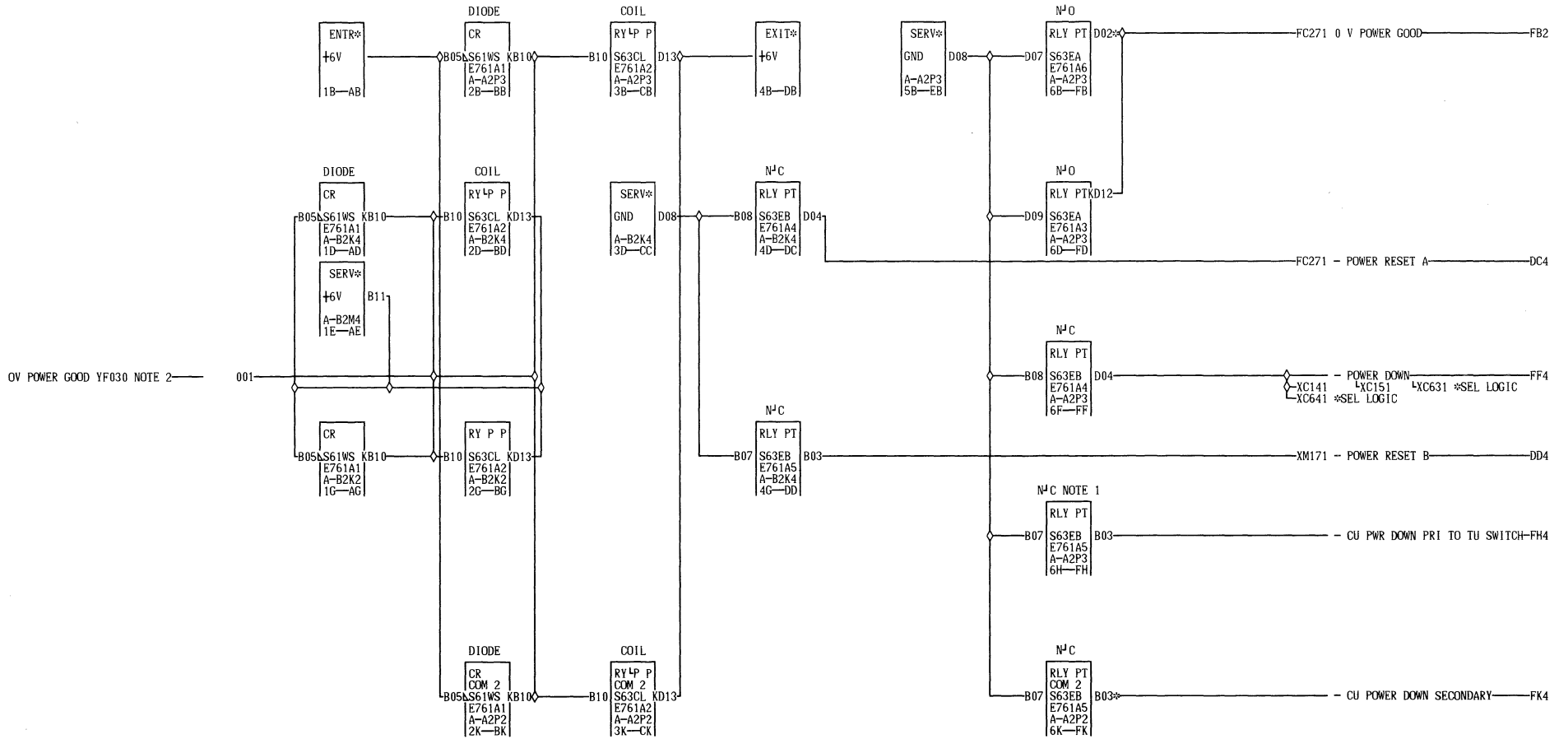
F
D
0
2
1
000

TAPE UNIT BUS OUT TUBO			
DATE	07-28-81	MACH.	3803-2
LOG	0051	FRAME	01 2 1
P.N. 2736368			
IBM CORP.	SDD BLK.	GM	000



07-17-73 734098
12-06-73 734879

TAPE UNIT SELECTION TUADR			
DATE	07-20-81	MACH.	3803-2
LOG	0045	FRAME	01
		P.N.	2736369
IBM CORP.	SDD BLK.		GM



OV POWER GOOD YF030 NOTE 2

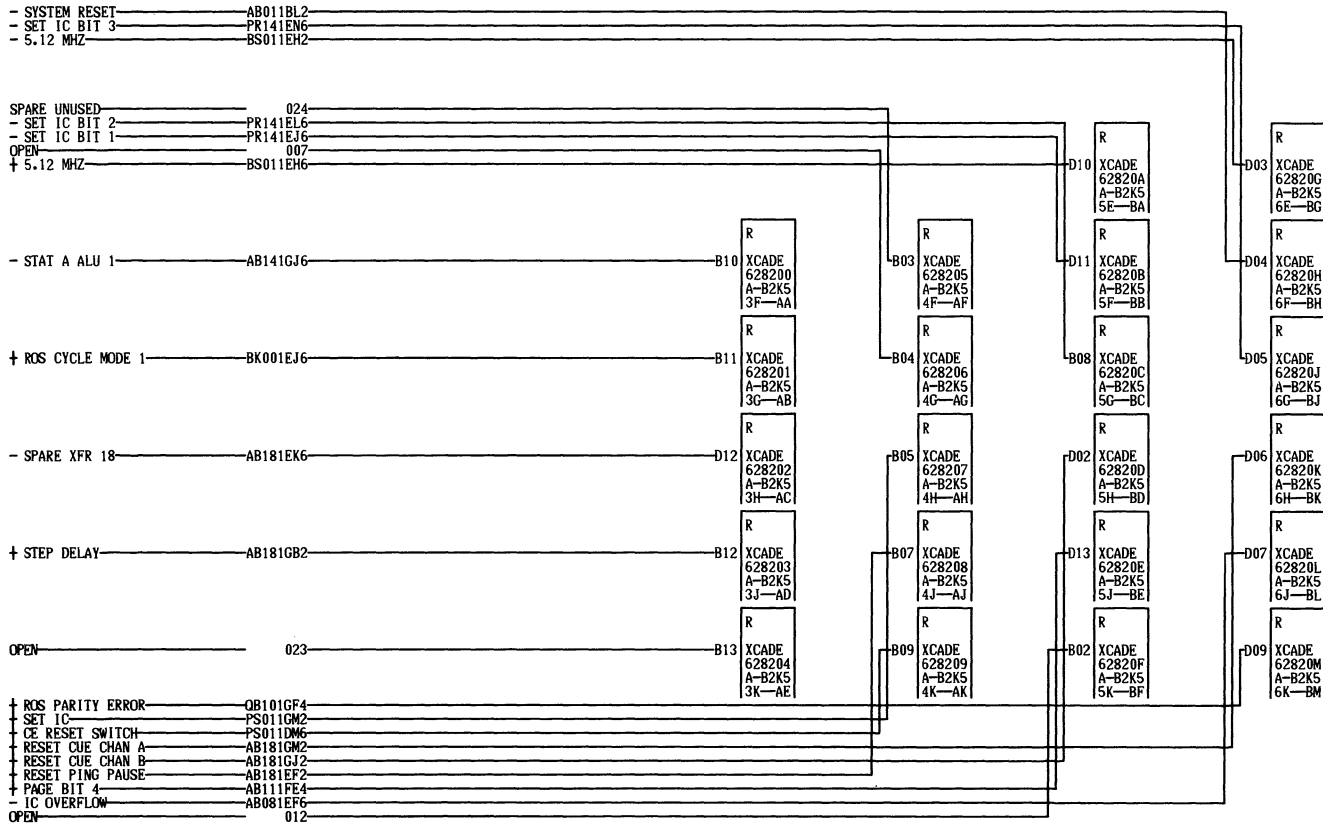
F
 D NOTE 1
 0 SEE JUMPER LIST P/J N
 5 2521041 FOR CONNECTIONS.
 1 REFER TO LOGIC XC700 OR XC701
 NOTE 2
 000FOR 50HZ MACH SOURCE IS YF035.

FB2 A-A2U5B09
 01A-B2B5B09
 FK4 A-A2B3D09
 01T-A1A6D09

07-17-73 734098
 09-17-73 734107

POWER SENSE RELAY			
DATE	08-18-81	MACH.	3803-2
LOG	0041	FRAME	01
		P.N.	2736371
IBM CORP.	BLK.	FL	

F
 D
 0
 5
 1
 000



NR011

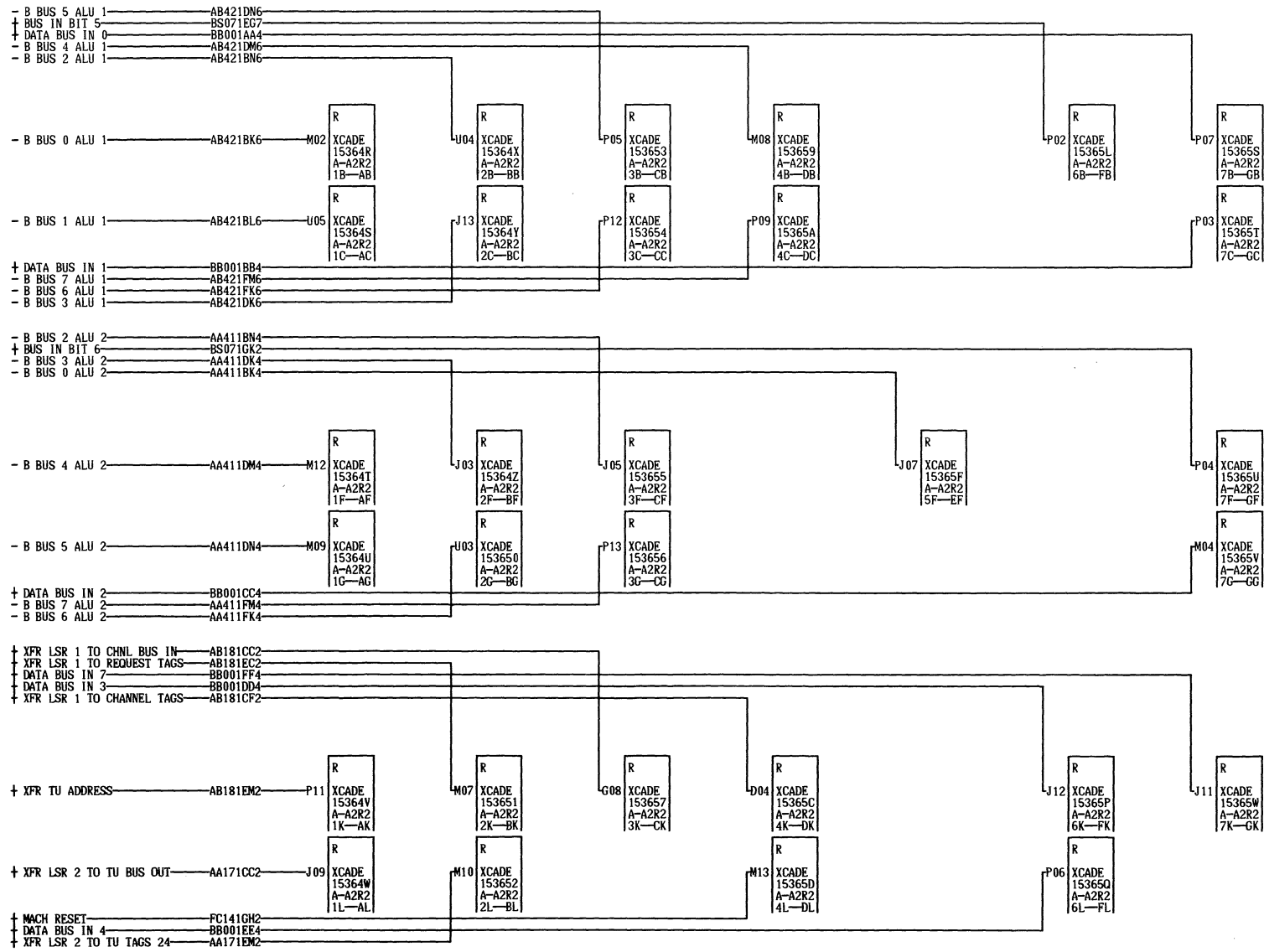
000

07-17-73 734098
04-22-74 734877

TLD TERMINATORS			
DATE	08-18-81	MACH.	3803-2
LOG	0J14	FRAME	01
		P.N.	2736372
IBM CORP.	SDD	BLK.	BN

NR011

000

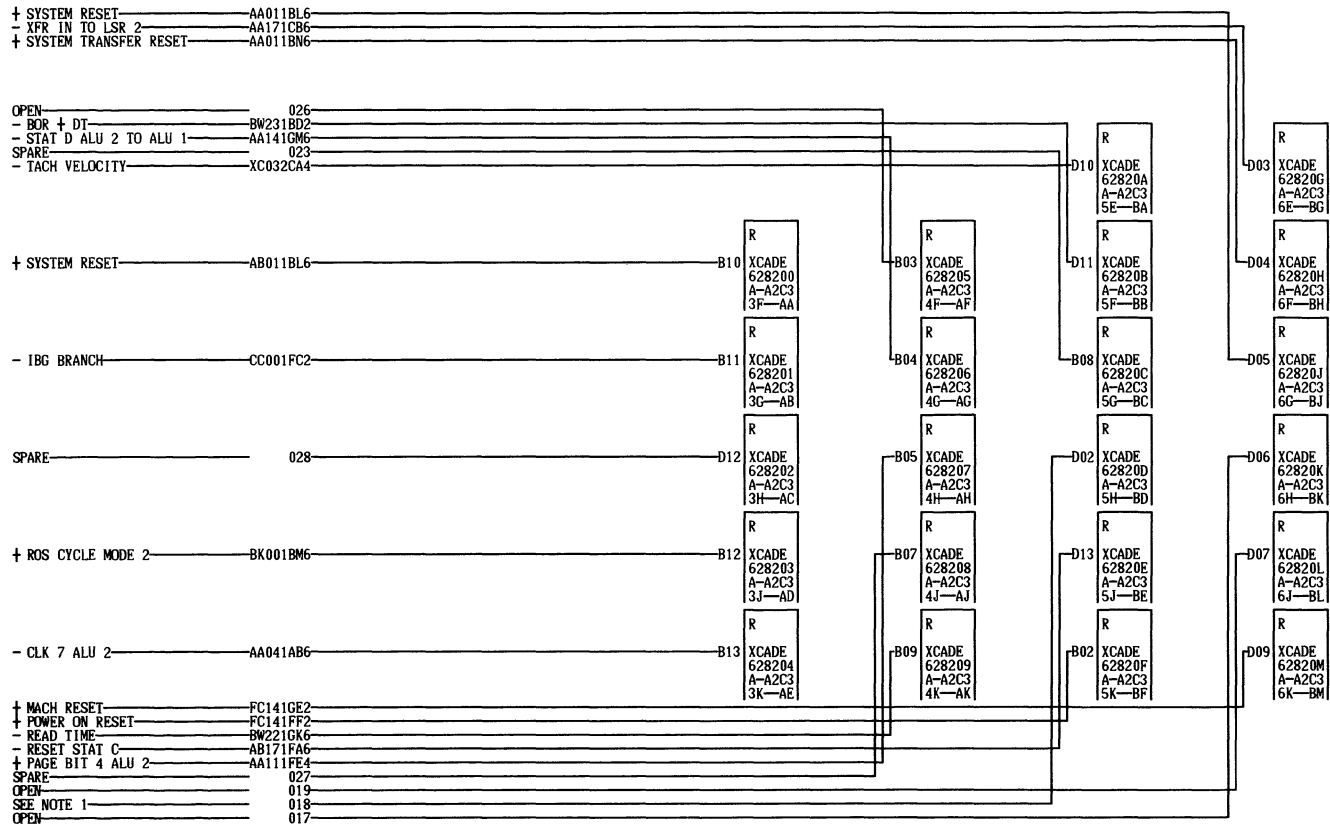


07-17-73 734098
12-06-73 734879

TERMINATING RESISTORS			
DATE	07-28-81	MACH.	3803-2
LOG	0045	FRAME	01
		P.N.	2736373
IBM CORP.	SDD	BLK.	CL

N
R
0
2
1
000

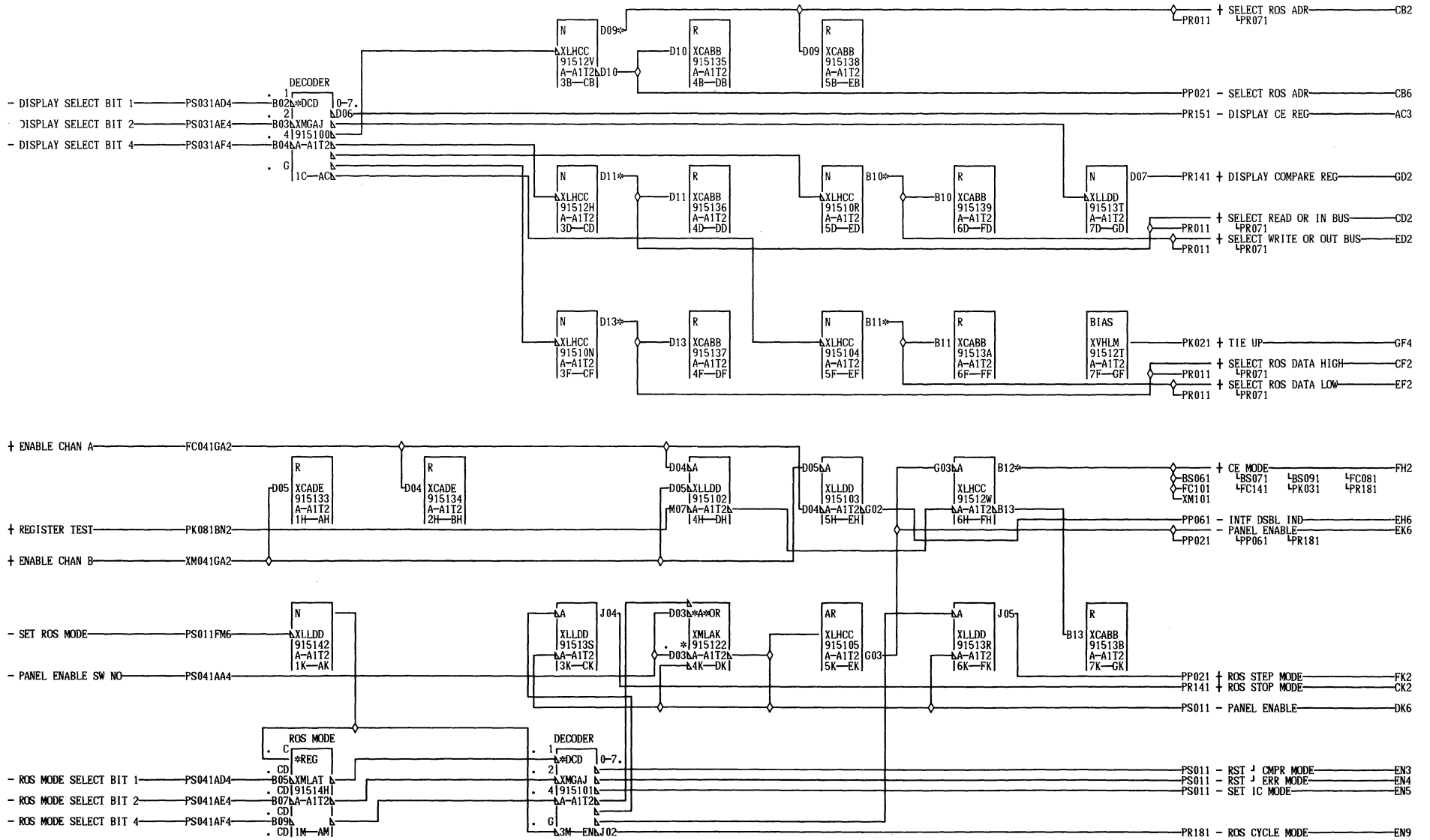
N
R
0
2
1
000



07-17-73 734098

NOTE 1 WHEN SELECTION LOGIC
IS INSTALLED THIS TERMINATOR
IS USED ON NET FD041GA6
N
R
0
3
1
000

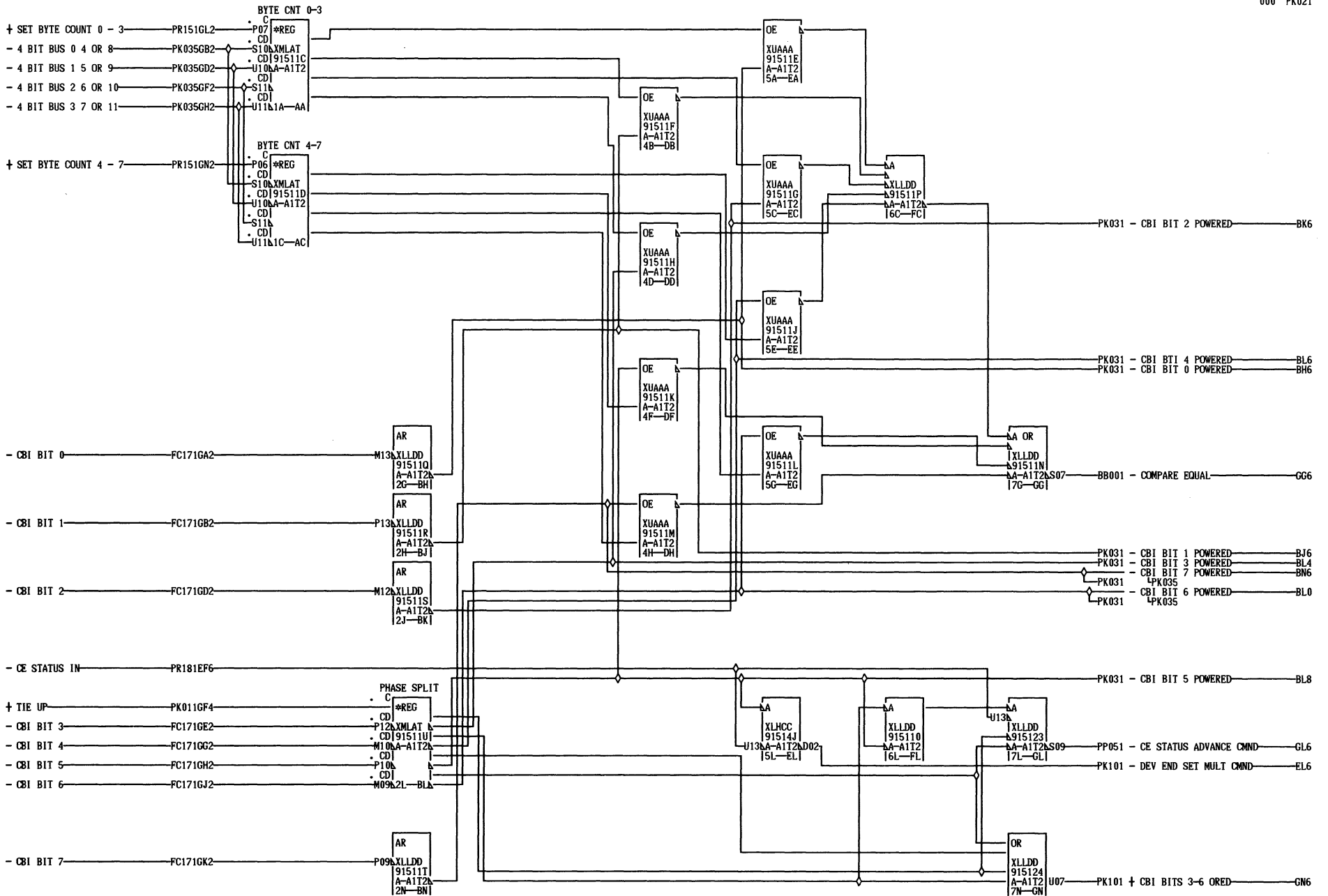
TLD TERMINATOR		
DATE	07-20-81 MACH. 3803-2	N R 0 3 1
LOG	0016 FRAME 01	
	P.N. 2736374	
IBM CORP.	SDD BLK.	BN 000



P	01A-A2U1A11	01A-A2G1A13	01A-A2U2B13
K	01A-A2U1A11	01A-A2U2D02	01A-B2B2B13
0	01A-A2U2D05	01A-B2B2D02	FH2 A-A1NGA04
1	01A-B2B2D05	ED2 A-A1T1E11	01A-A2N1A13
1	CD2 A-A1A3B02	01A-A2T1E11	01A-A2V2B12
1	01A-A2C2B02	01A-A2U2D03	01A-B2A2B12
000	01A-A2U2D06	01A-B2B2D03	
	01A-B2B2D06	EF2 A-A1F6E04	
	CF2 A-A1G6A04	01A-A2F1E13	

07-17-73 734098
04-22-74 734877

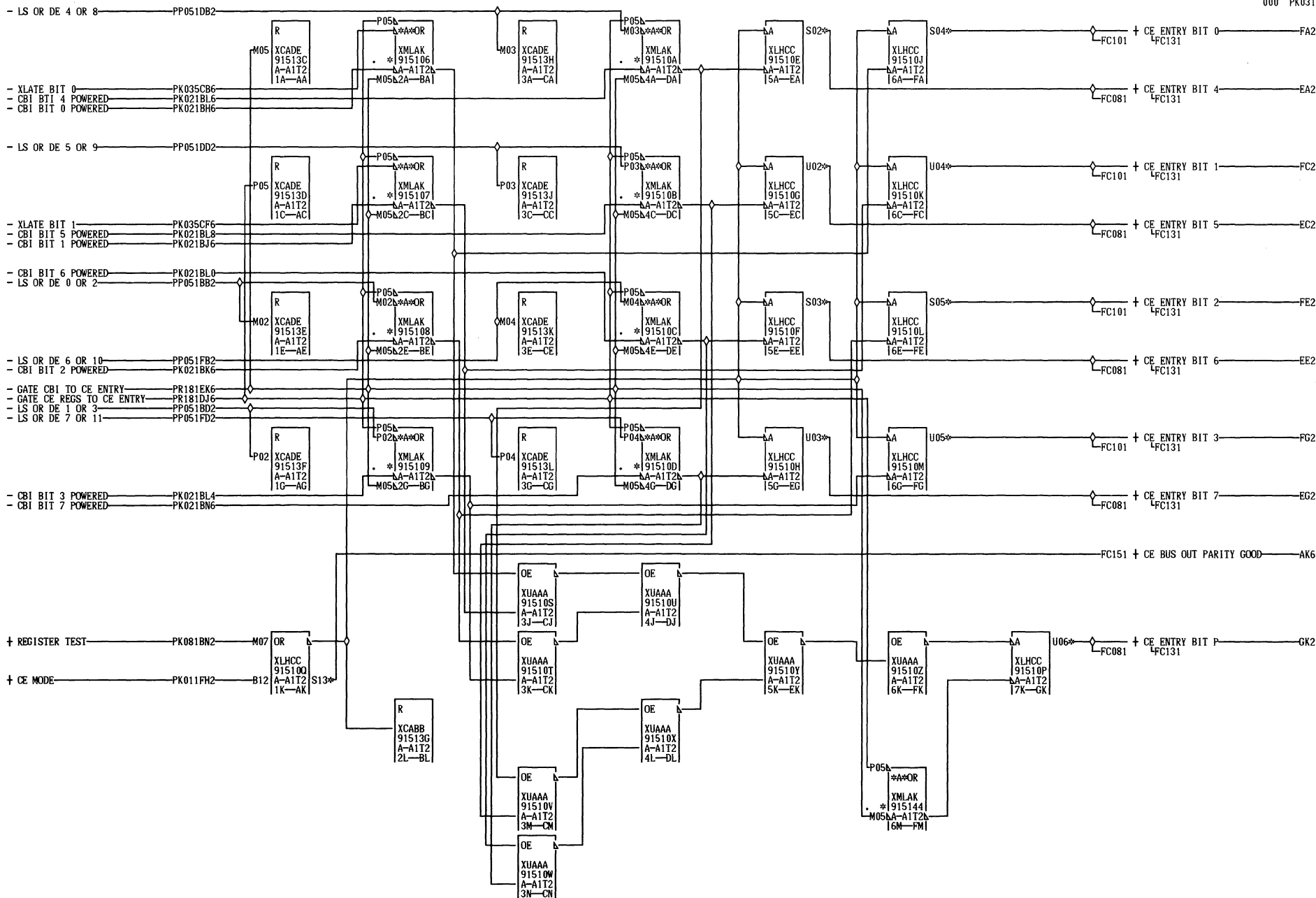
CE SELECTABLE REGISTER DECODE AND CONTROL AND ROS MODE DCD			
DATE	07-28-81	MACH.	3803-2
LOG	0J14	FRAME	01
			1
		P.N.	2736375
			000
IBM CORP.	SDD	BLK.	GL



07-17-73 734098

PK021
000

CBI ENTRY		
DATE	07-28-81 MACH. 3803-2	PK021
LOG	0016 FRAME 01	000
	P.N. 2736376	
IBM CORP.	SDD BLK.	GP



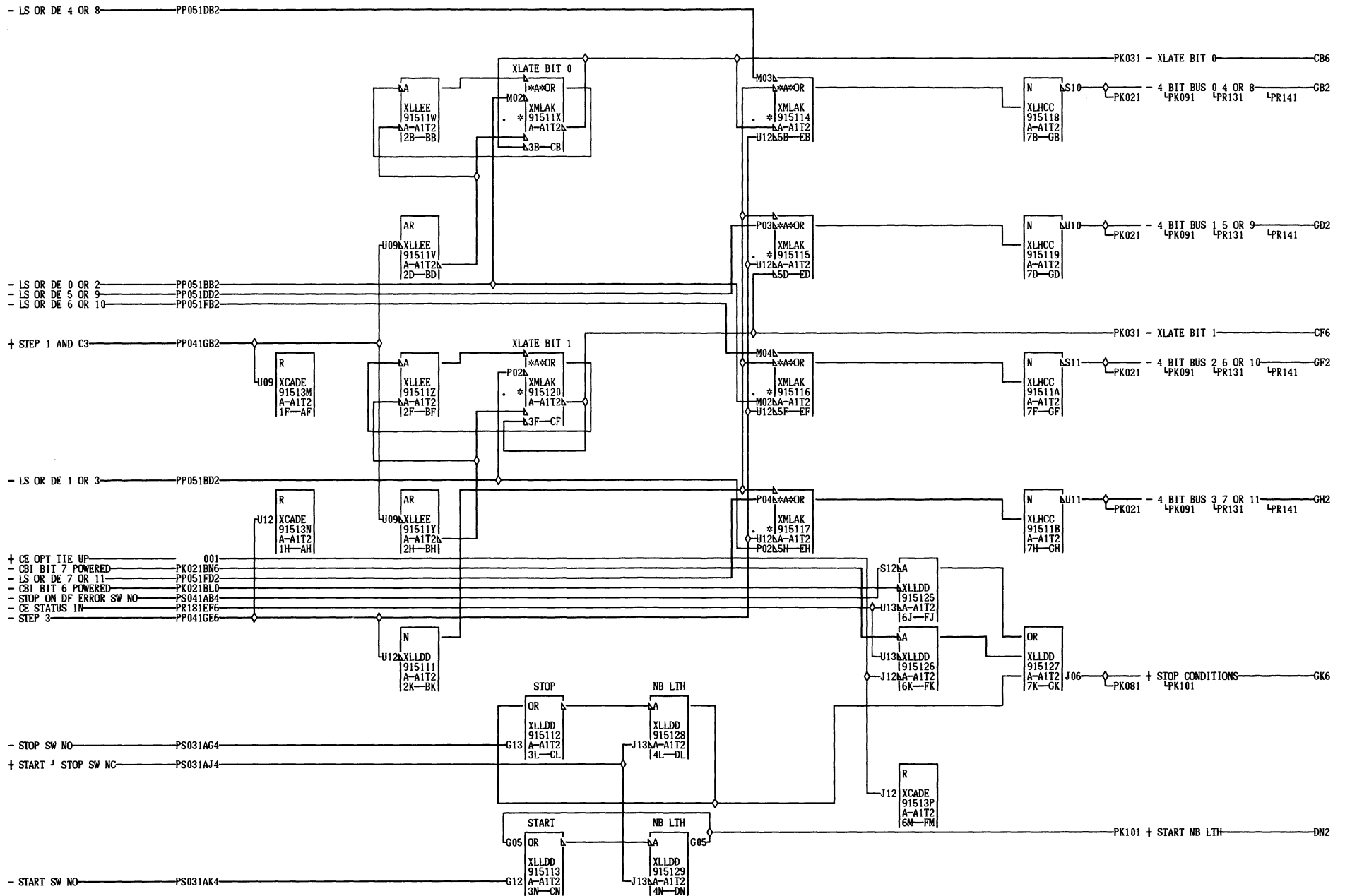
P
K
0
3
1
000

AK6 A-A1N6D04 01A-B2M1B11 FG2 A-A1T6B02
 01A-A2N1D13 EG2 A-A1U6C02 01A-B2L1E11
 01A-A2V2D07 01A-B2N1A11 CK2 A-A1V6B02
 01A-B2A2D07 FA2 A-A1T6A02 01A-B2N1E11
 EA2 A-A1U6A02 01A-B2L1D11
 01A-B2M1D11 FC2 A-A1T6E02
 EC2 A-A1U6E02 01A-B2M1C11
 01A-B2N1C11 FE2 A-A1U6D02
 EE2 A-A1T6D02 01A-B2N1B11

07-17-73 734098

CE ENTRY BUS DRIVERS			
DATE	07-28-81	MACH.	3803-2
LOG	0016	FRAME	01
		P.N.	2736377
IBM CORP.	SDD BLK.		GL

P
K
0
3
1
000

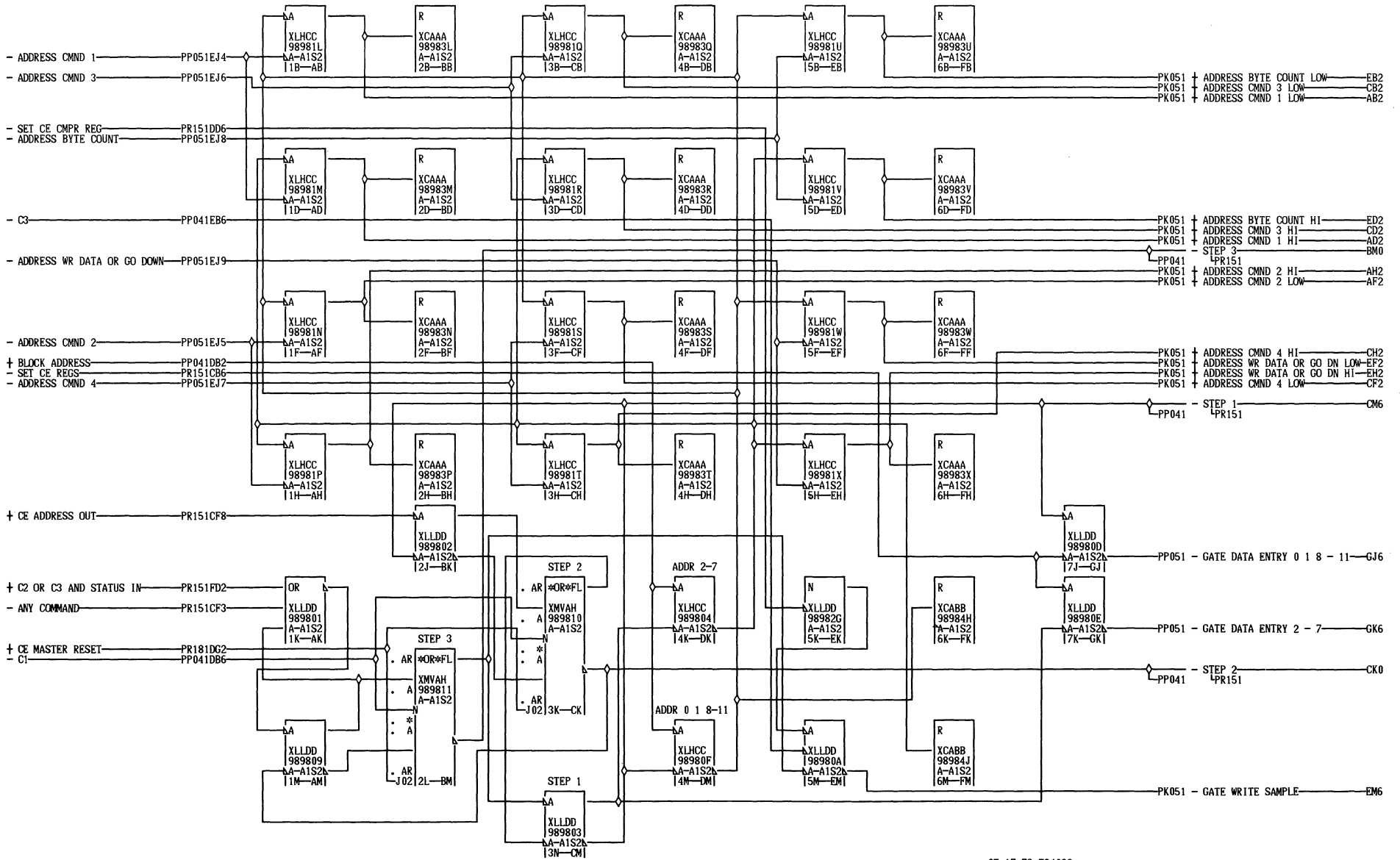


07-17-73 734098

4 BIT BUS XLATE REG AND STOP CONDITIONS			
DATE	07-28-81	MACH.	3803-2
LOG	0016	FRAME	01 3 5
		P.N.	2736378
IBM CORP.	SDD BLK.		GL 000

P
K
0
3
5

000

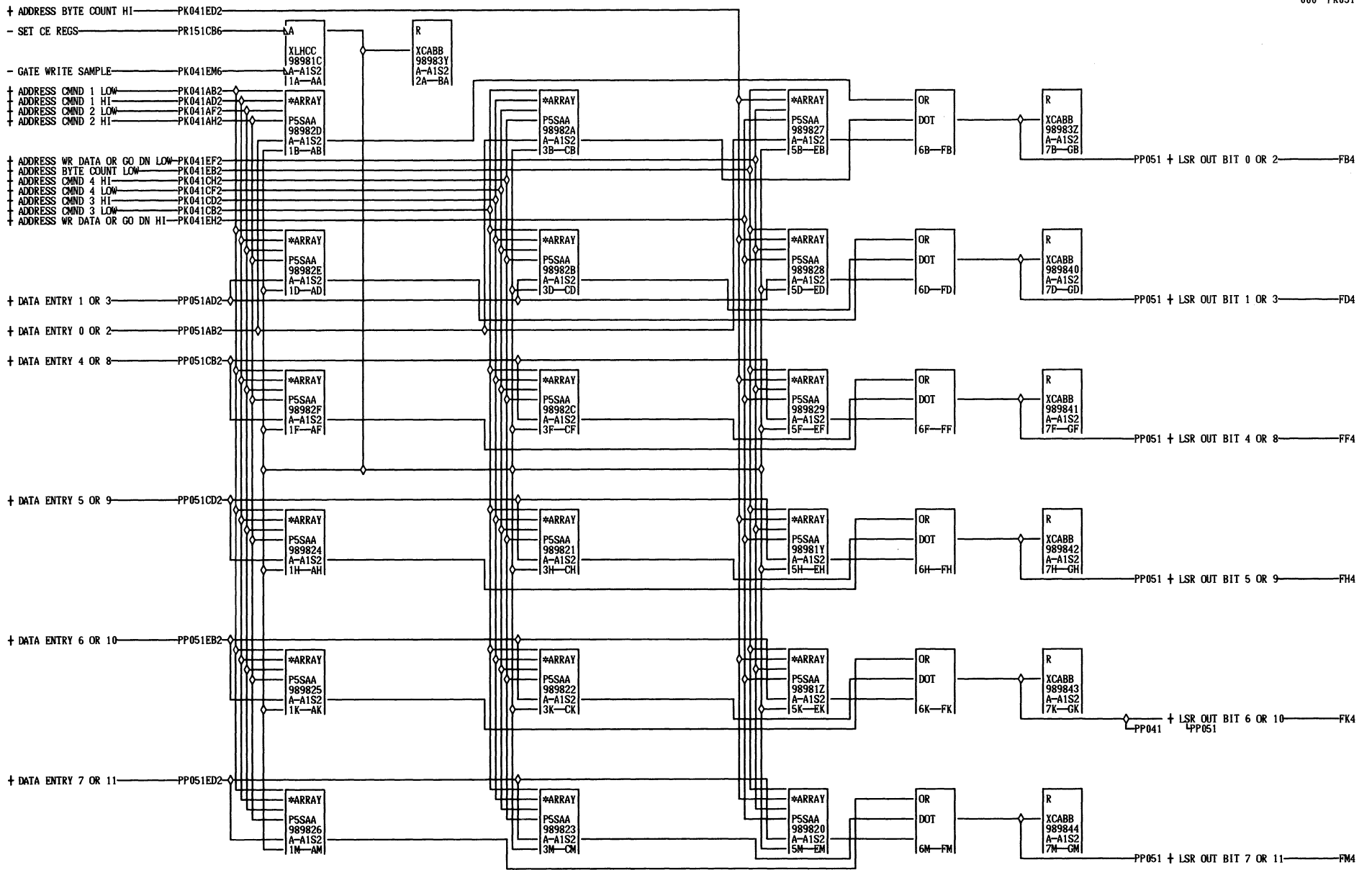


07-17-73 734098

PK041
000

CE WORD SELECT LOGIC			
DATE	07-28-81	MACH.	3803-2
LOG	0016	FACR.	01
		P.N.	2736379
IBM CORP.	BLK.	GL	

PK041
000

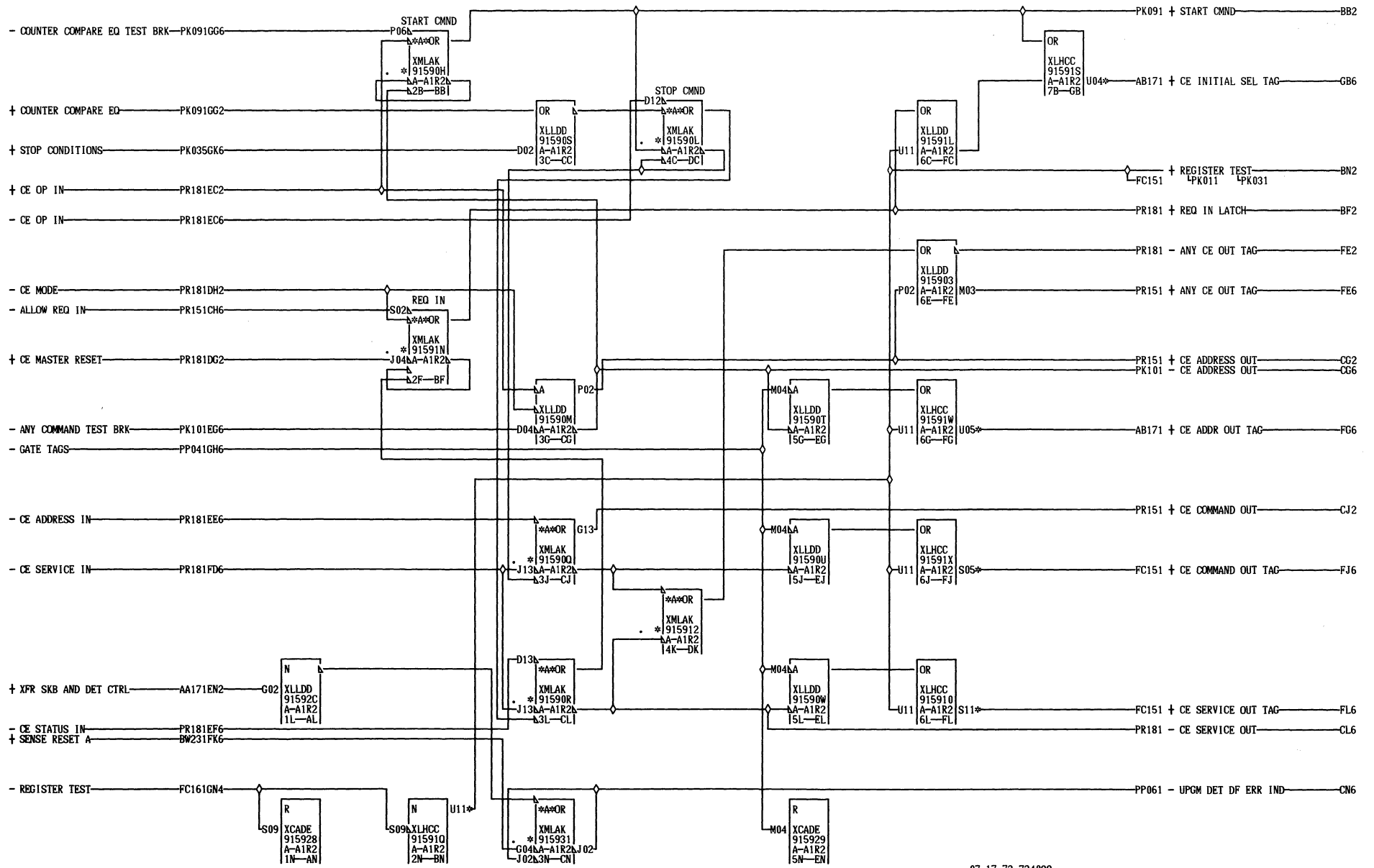


07-17-73 734098

PK051
000

C E LOCAL STORE REGS			
DATE	07-28-81	MACH.	3803-2
LOG	0016	FRAME	01
		P.N.	2736380
IBM CORP.		BLK.	GN

PK051
000



07-17-73 734098

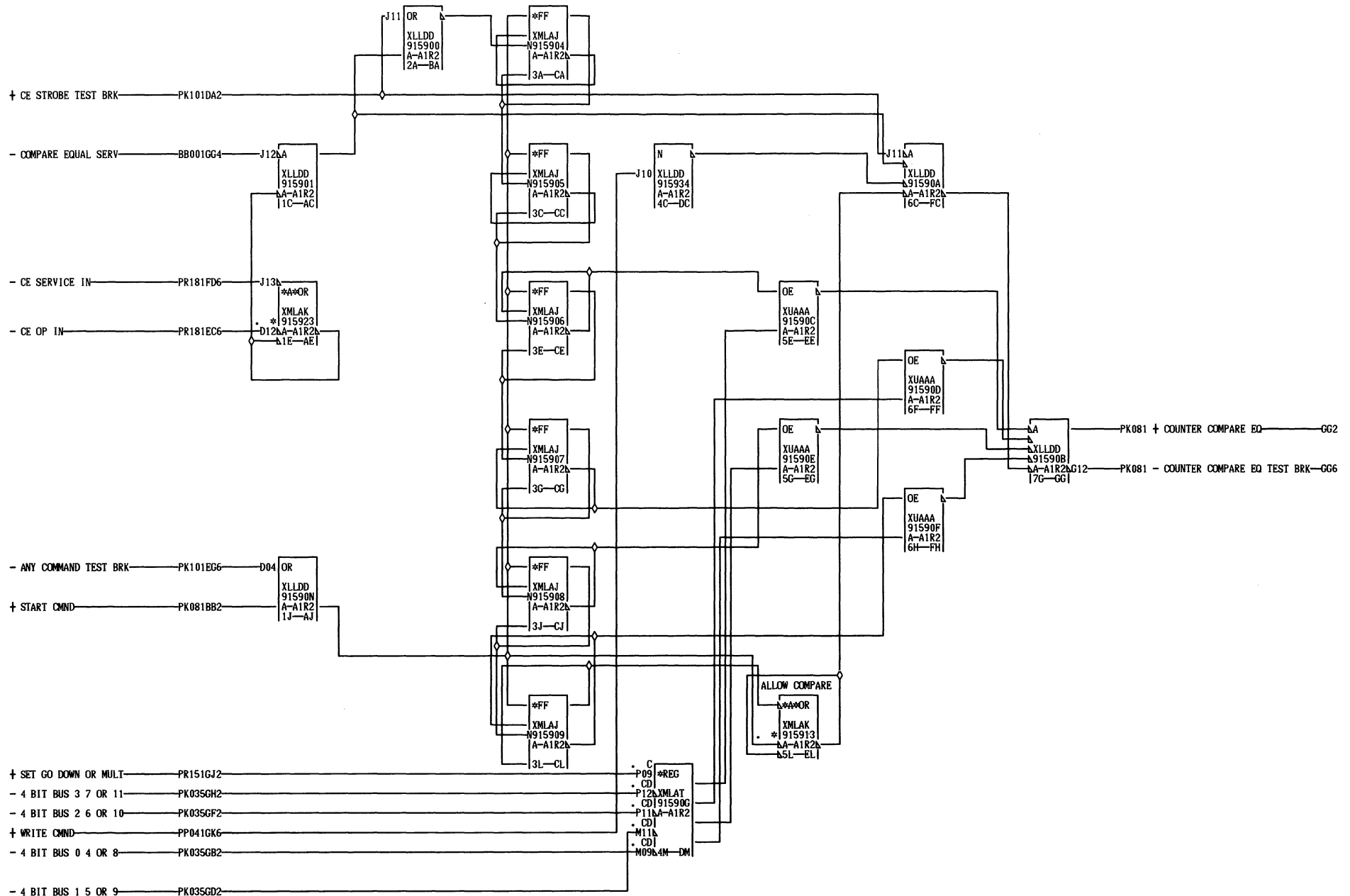
P
K
0
8
1
000

BN2 A-A1H1B11
D1A-B2A1E11
FG6 A-A1J1A11
01A-B2B1D11
FJ6 A-A1H1D11
D1A-B2B1B11
FL6 A-A1H1E11
D1A-B2B1C11
CG6 A-A1J1C11

01A-B2C1A11

CE OUT TAGS			
DATE	07-28-81	MACH.	3803-2
LOG	0016	FRAME	01
		P.N.	2736381
IBM CORP.	SDD	BLK.	GP

P
K
0
8
1
000

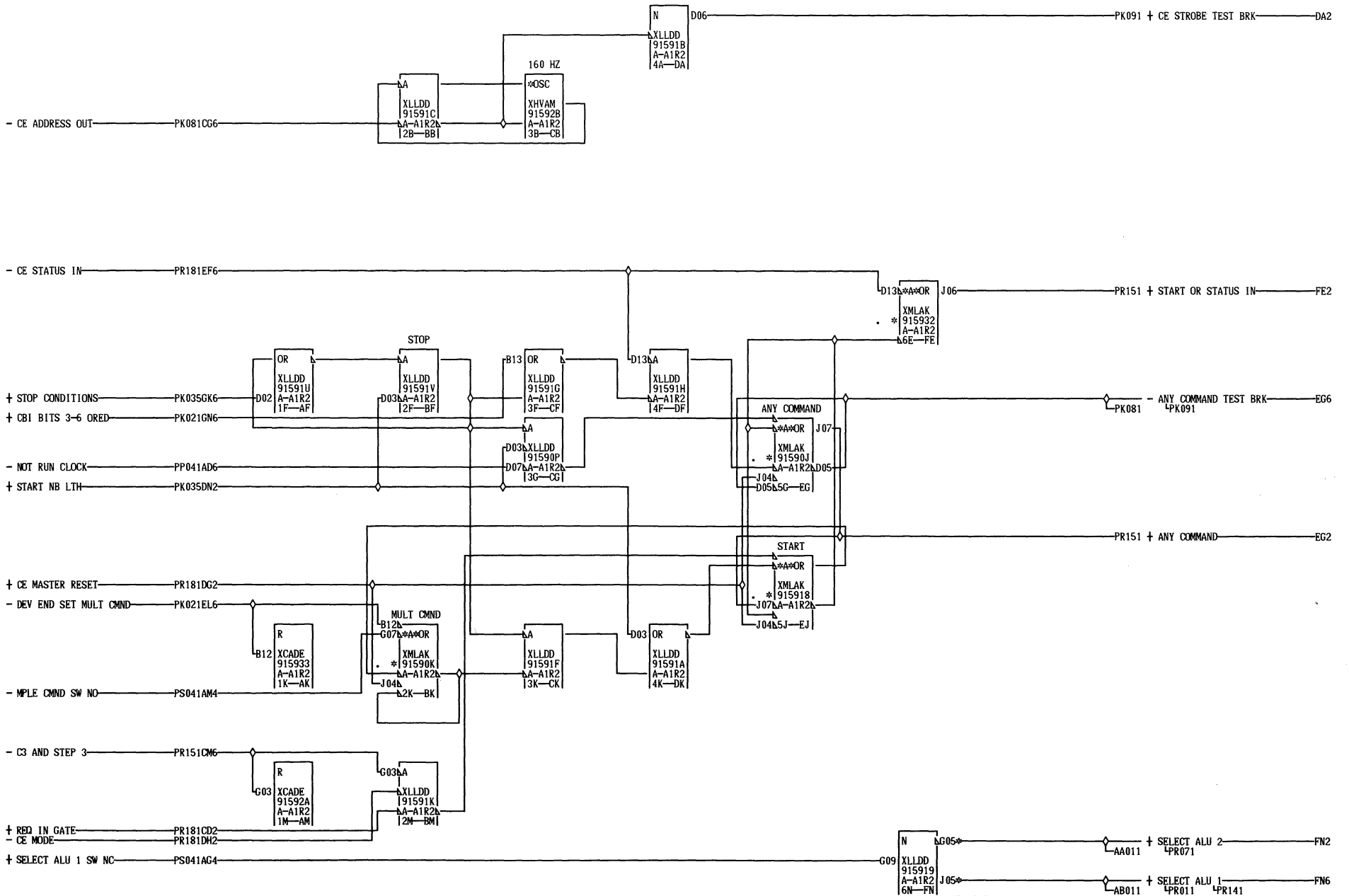


07-17-73 734098

P
K
0
9
1
000

MULTIPLIER OR GO DOWN COMPARE			
DATE	07-28-81	MACH.	3803-2
LOG	0016	FRAME	01
		P.N.	2736382
IBM CORP.	SDD	BLK.	GK

P
K
0
9
1
000



P
K
1
0
1
000

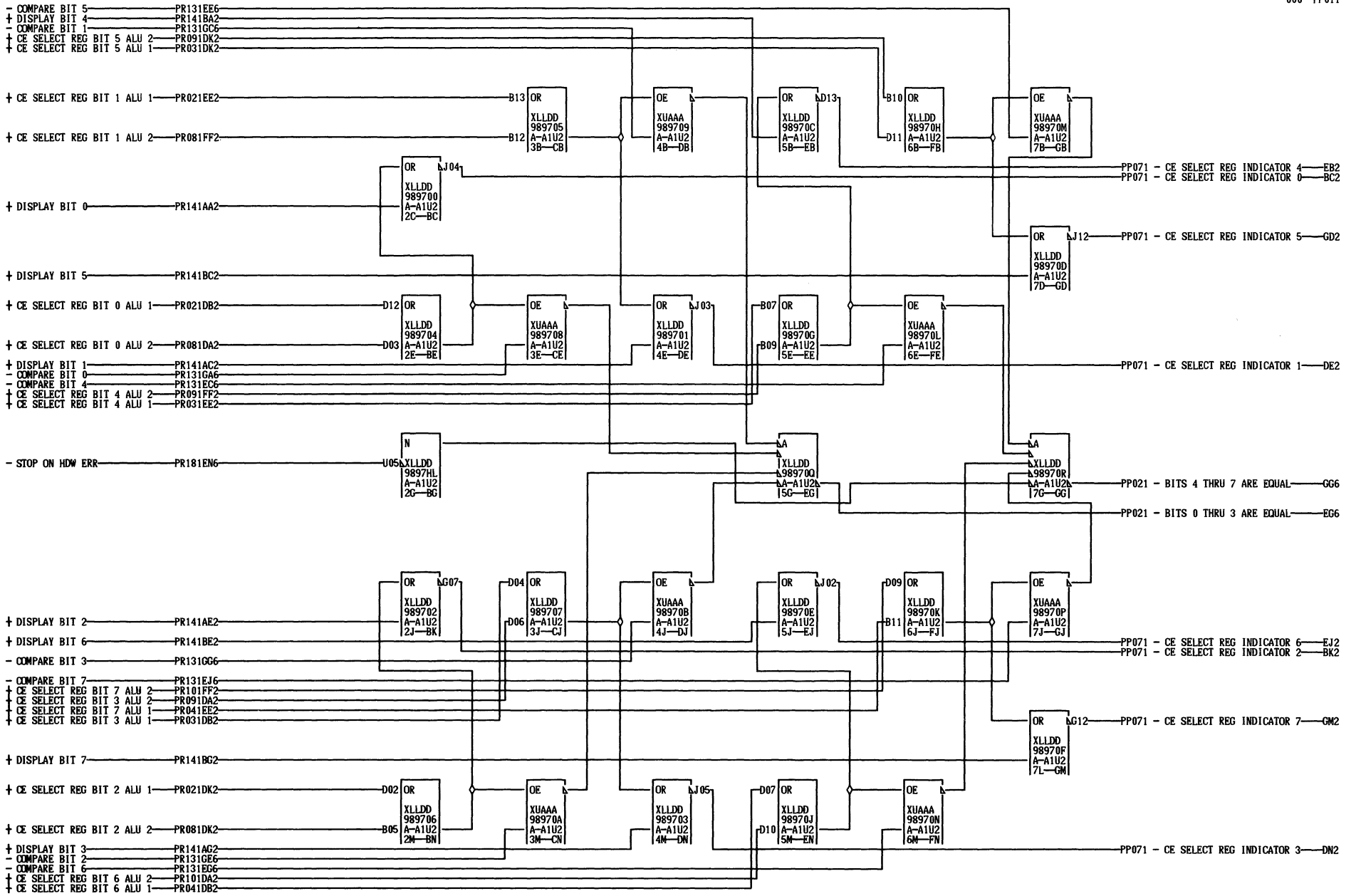
FN2 A-A1F6B04
01A-A2F1B13
FN6 A-A1H1C13
01A-B2B1A13

N G05* AA011 + SELECT ALU 2 FN2
XLLDD 915919 4PR071
A-A1R2 J05* AB011 + SELECT ALU 1 FN6
6N-FN1 4PR011 4PR141

07-17-73 734098

CE COMMAND GENERATION			
DATE	07-28-81	MACH.	3803-2
LOG	0016	FRAME	01
		P.N.	2736383
IBM CORP.	SDD	BLK.	GM

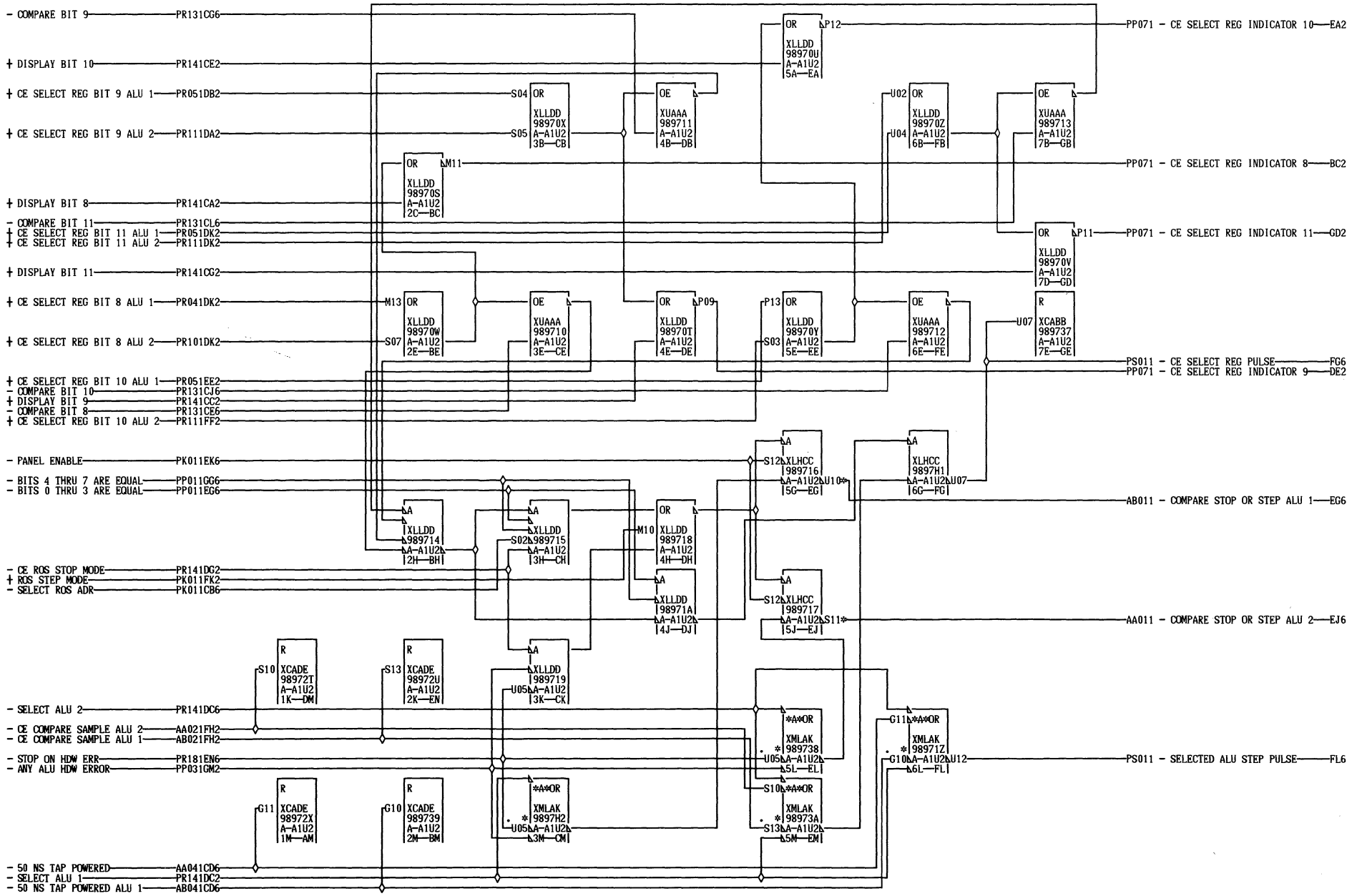
P
K
1
0
1
000



07-17-73 734098

P
0
1
1
000

CE SELECTABLE REG IND DRIVERS AND COMPARE BIT 0 THRU 7			P
DATE 07-28-81 MACH. 3803-2			0
LOG	0016 FRAME	01	1
	P.N.	2736384	1
IBM CORP.	SDD BLK.	GN	000

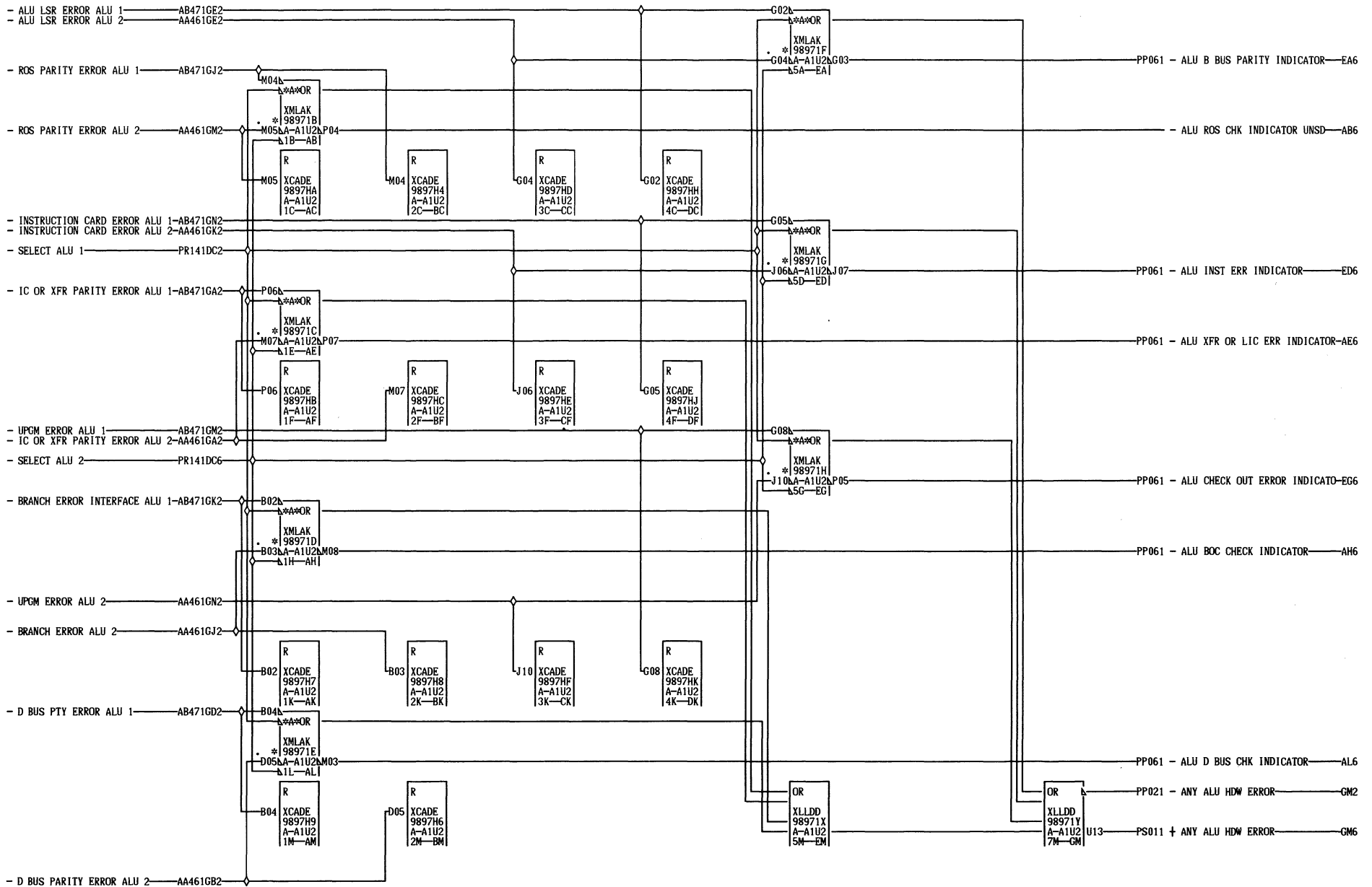


P
 0
 2
 1
 000

EG6 A-A1H1A13
 01A-B2A1D13
 EJ6 A-A1F6A04
 01A-A2F1A13

07-17-73 734098

CE SELECT REG IND DRIVERS AND ROS STOP PULSES		P
DATE	07-28-81 MACH. 3803-2	0
LOG	0016 FRAME	01
	P.N. 2736385	2
		1
IBM CORP.	SDD BLK.	000



07-17-73 734098

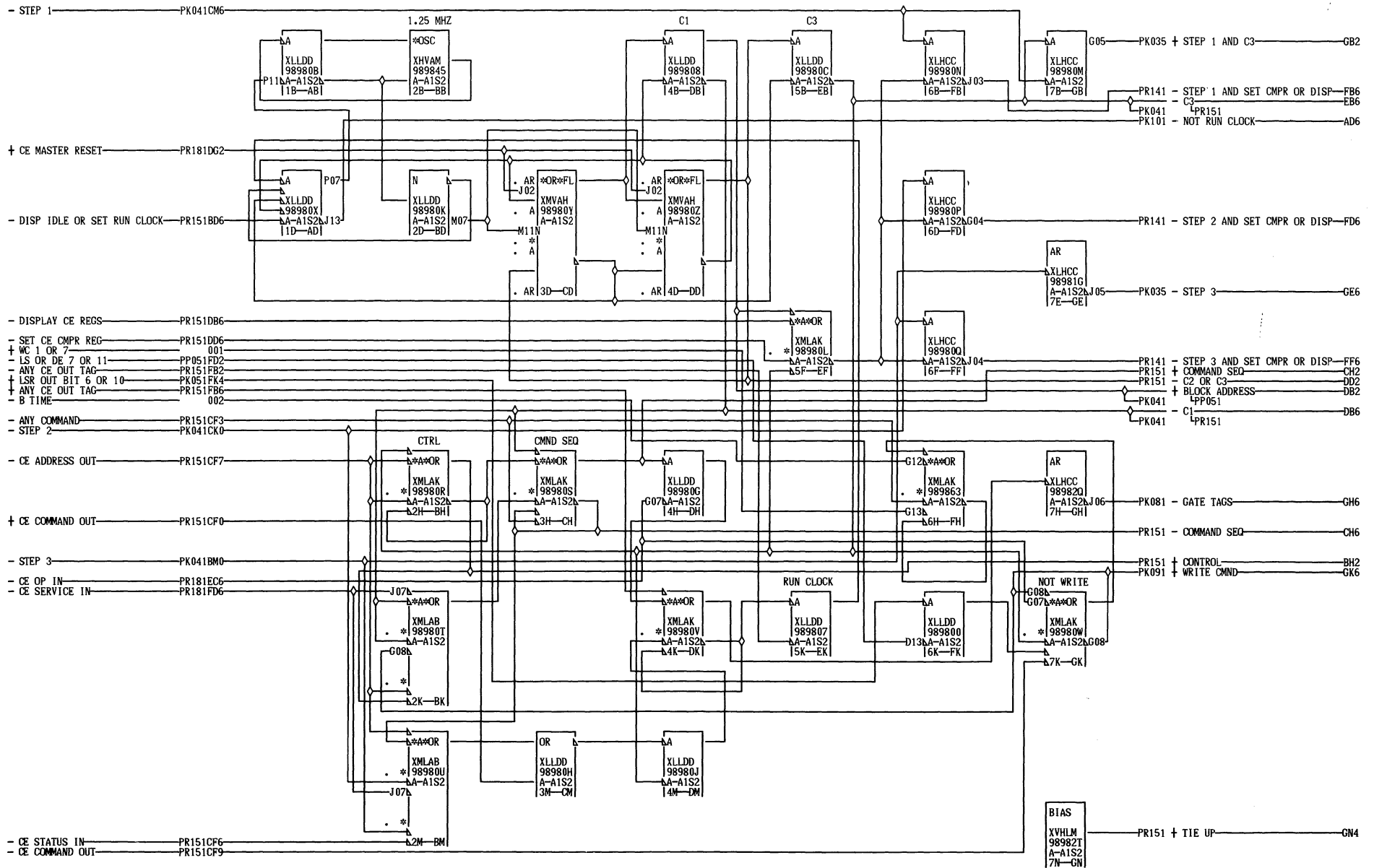
P
P
0
3
1

000

ALU HARDWARE ERROR INDICATOR DRIVERS			
DATE	07-28-81	MACH.	3803-2
LOG	0016	FRAME	01
		P.N.	2736386
IBM CORP.	SDD	BLK.	GN

P
P
0
3
1

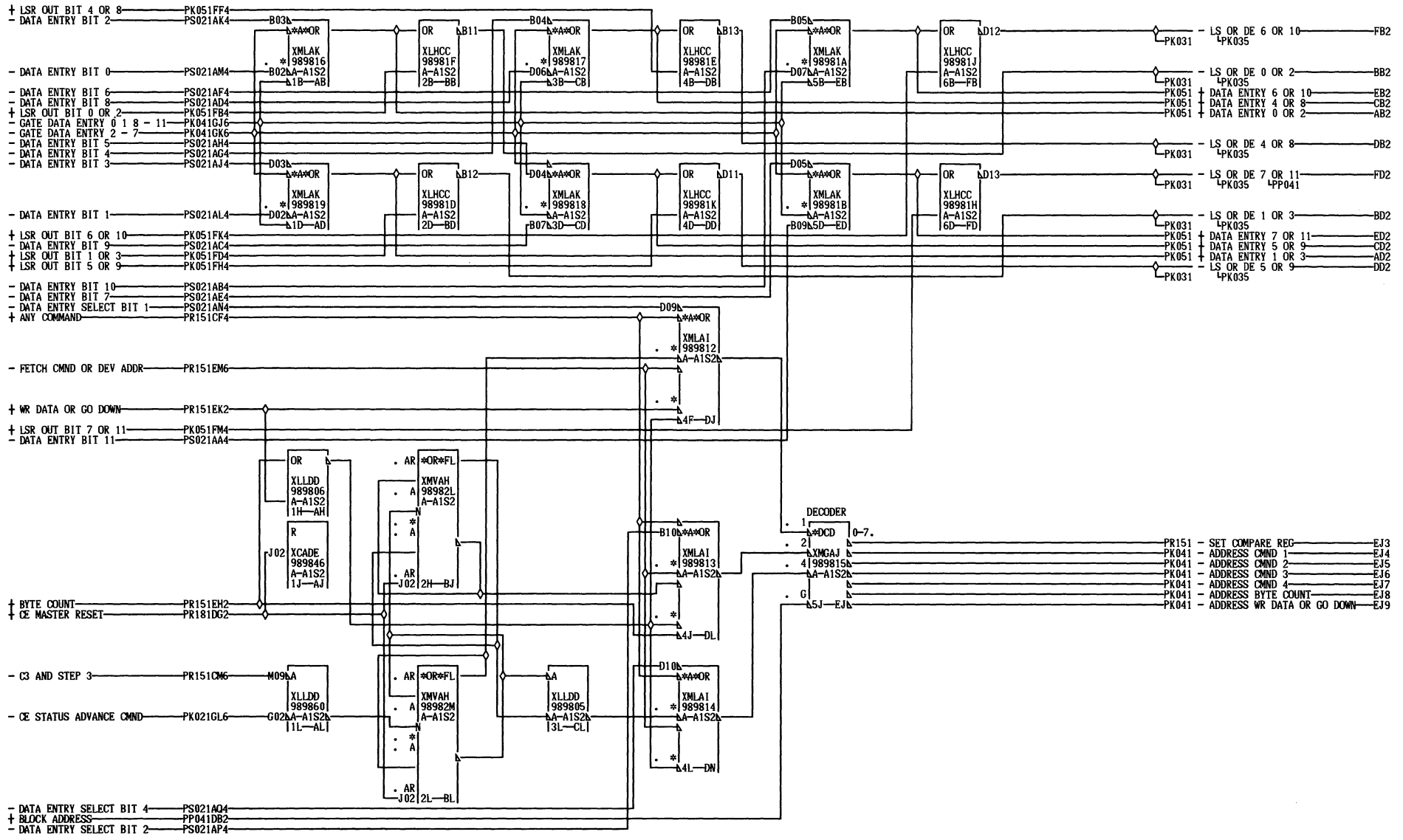
000



07-17-73 734098

P
P
0
4
1
000

CE MASTER CLOCK AND CONTROLS			
DATE	07-28-81	MACH.	3803-2
LOG	0016	FRAME	01
		P.N.	2736387
IBM CORP.	BLK.	GP	000



07-17-73 734098

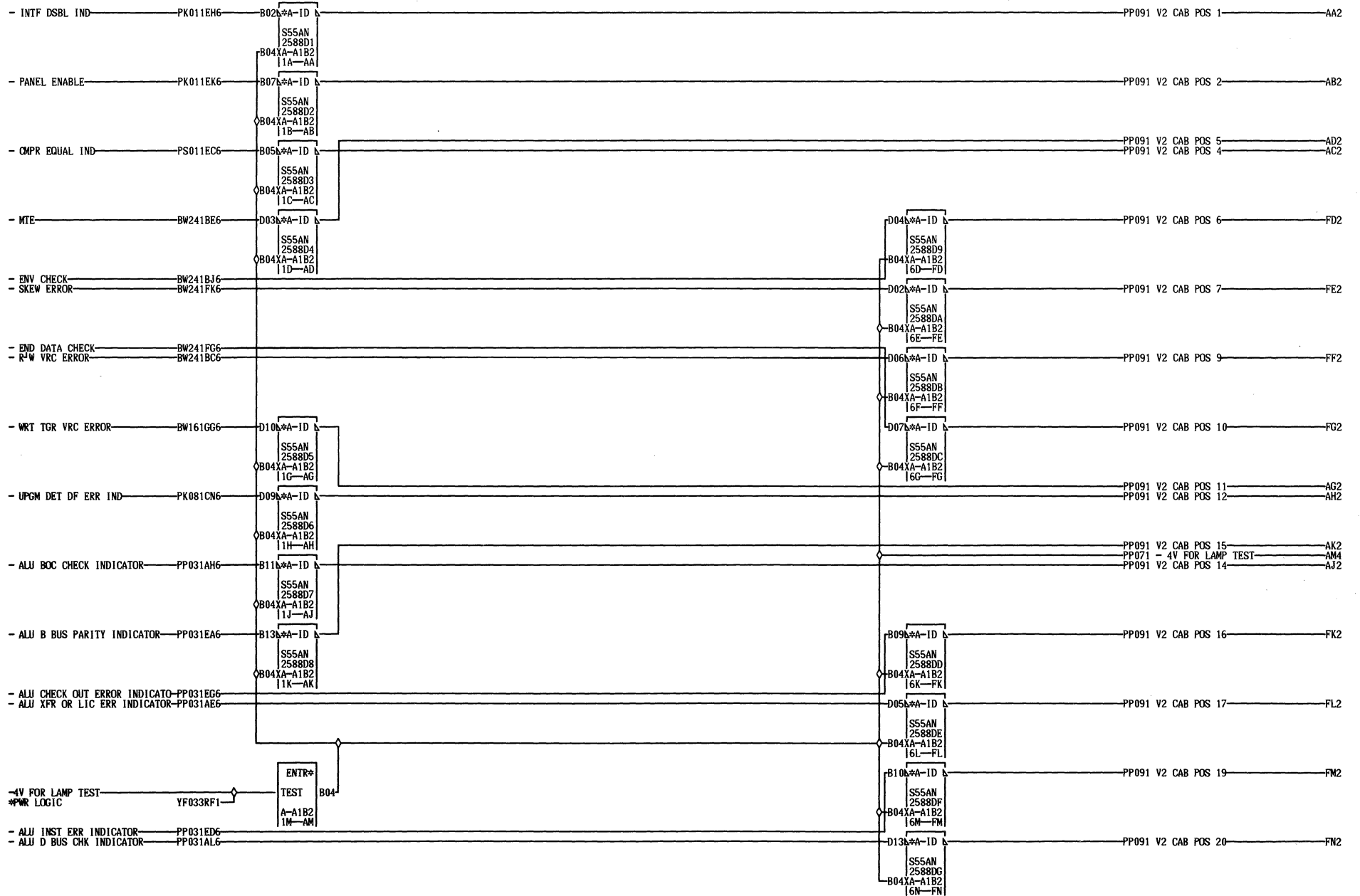
PP051

000

DATA ENTRY SELECT DECODER			
DATE	07-28-81	MACH.	3803-2
LOG	0016	FRAME	01
		P.N.	2736388
IBM CORP.	BLK.		GP

PP051

000



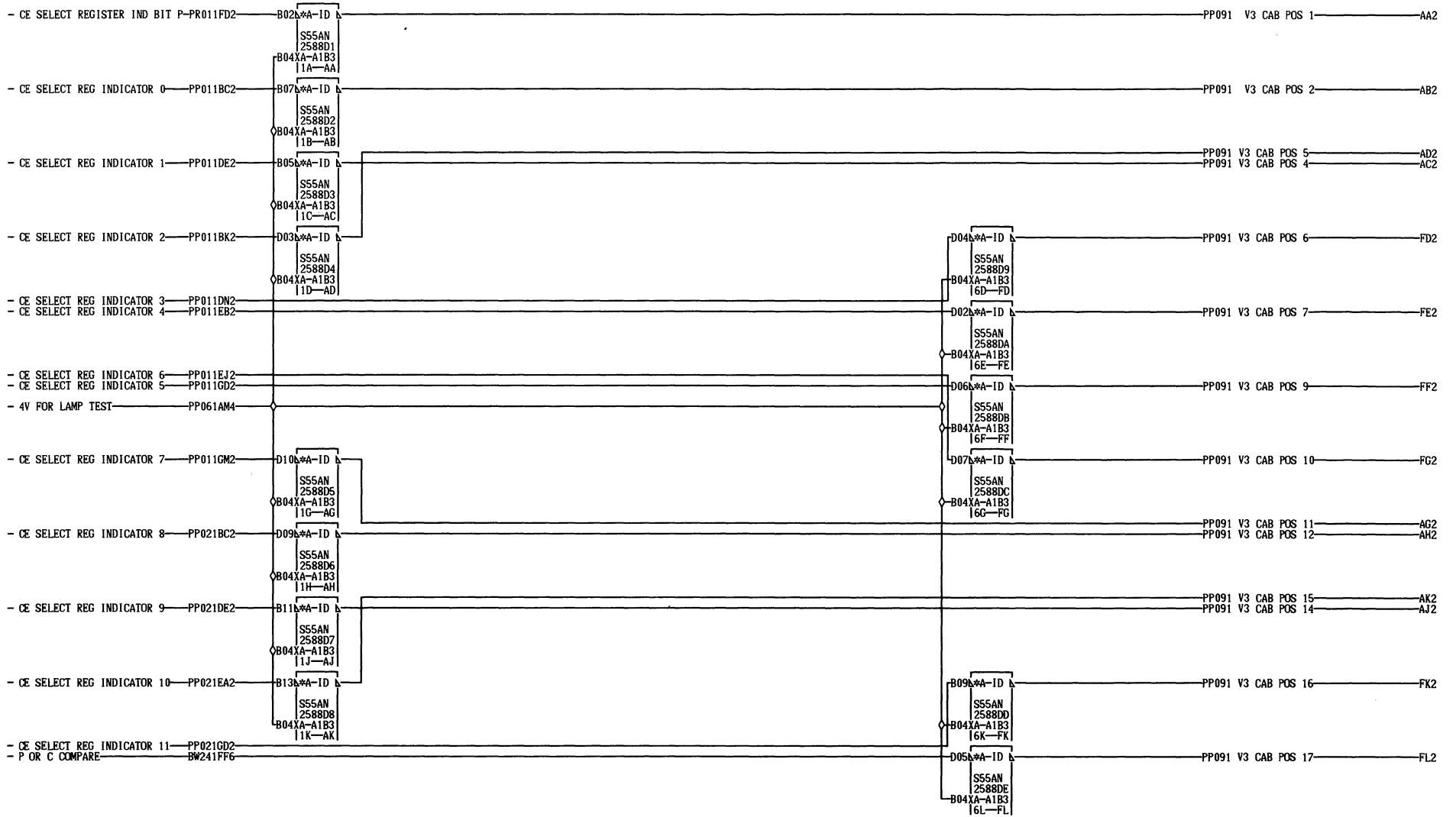
07-17-73 734098

P
0
6
1

000

16 LAMP DRIVER CABLE CARD V2			
DATE	07-28-81	MACH.	3803-2
LOG	0016	FRAME	01
		P.N.	2736389
IBM CORP.	SDD	BLK.	FP

P
0
6
1
000

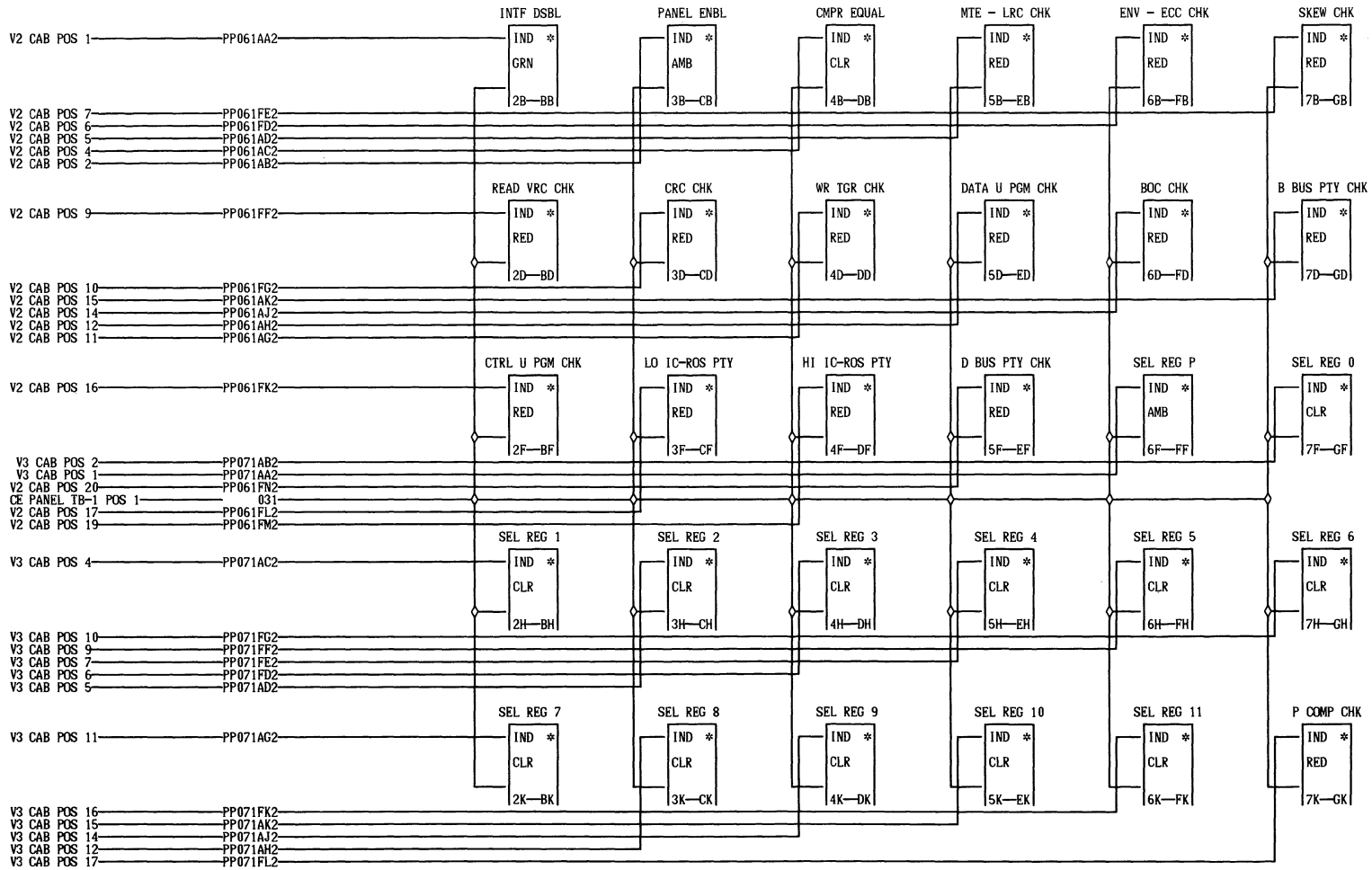


07-17-73 734098

P
P
0
7
1

000

16 LAMP DRIVER CABLE				P
CARD V3				P
DATE	07-28-81	MACH.	3803-2	0
LOG	0016	FRAME	01	7
P.N. 2736390				1
IBM CORP. SDD BLK. FM				000



07-17-73 734098
06-30-79 846171

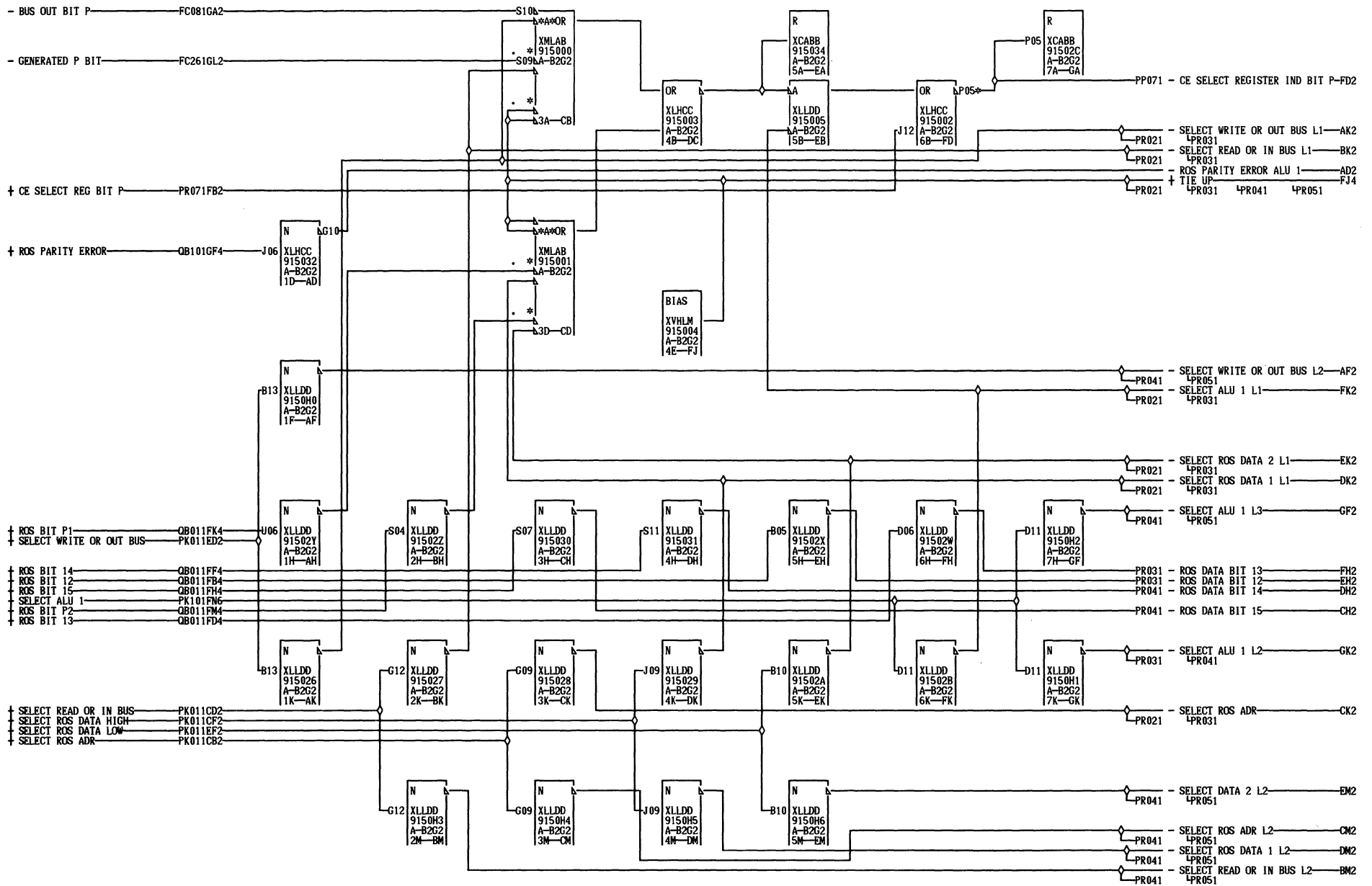
P
P
0
9
1

000

CE PANEL INDICATORS	
DATE	07-28-81 MACH. 3803-2
LOG	0847 FRAME
	P.N. 2736391
IBM CORP.	SDD BLK. GL

P
P
0
9
1

000



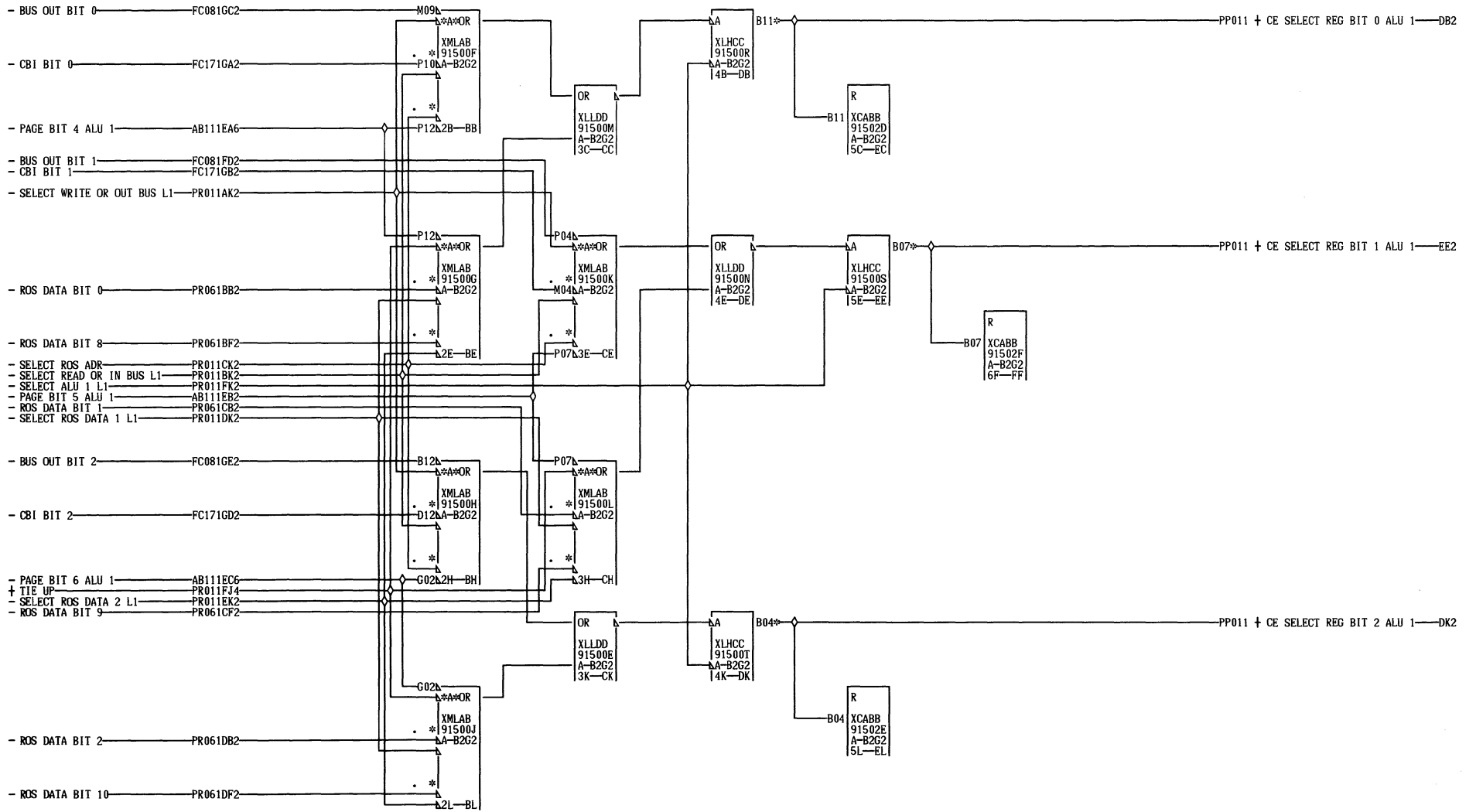
FD2 A-B2A1D11
01A-A1H1A11

07-17-73 734098

P
R
O
1
1
000

ALU 1 CE SELECT REG P			
DATE	07-28-81	MACH.	3803-2
LOG	0016	FRAME	01
		P.N.	2736392
IBM CORP.	SDD	BLK.	GL

P
R
O
1
1
000

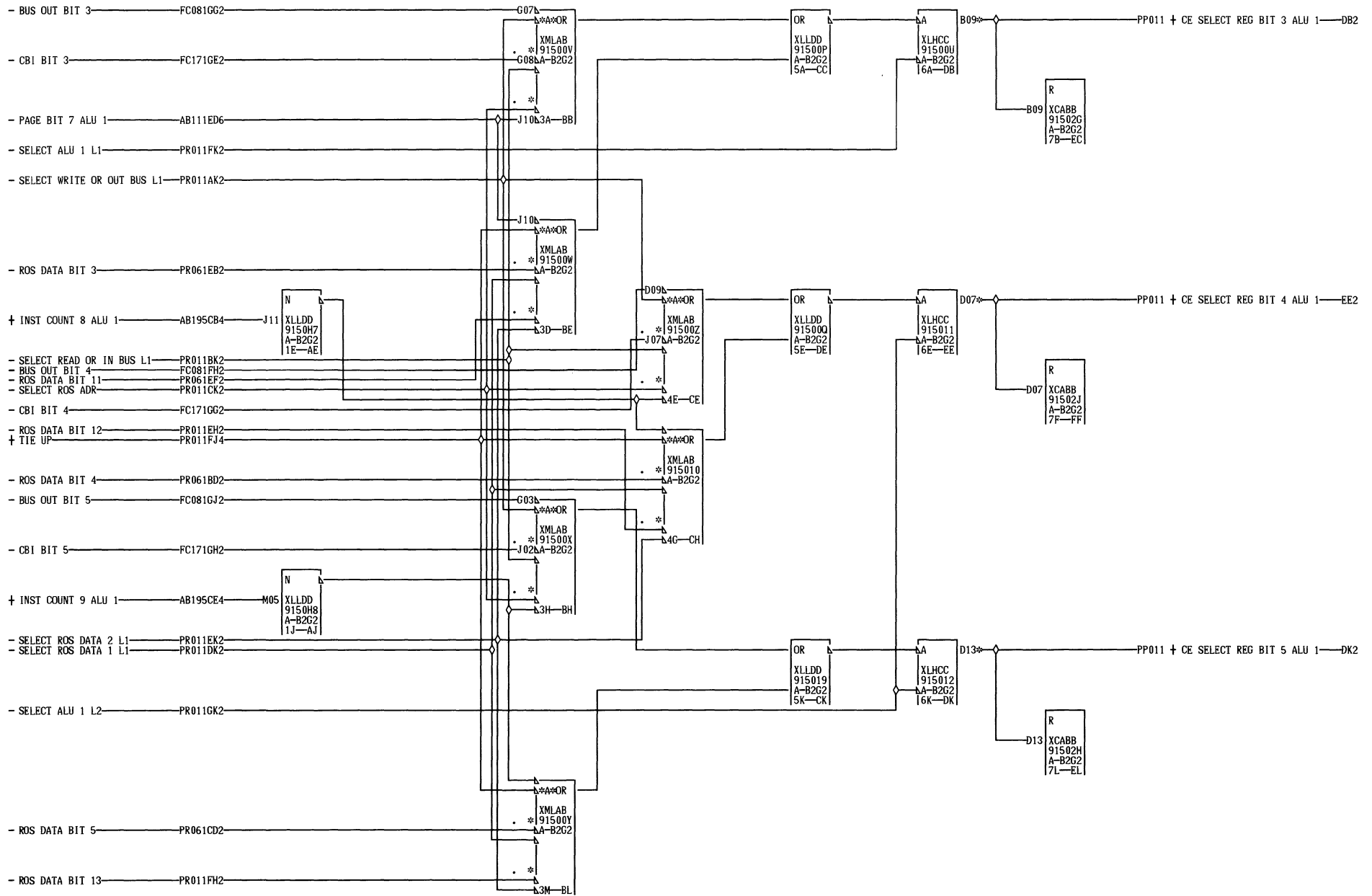


P
R
0
2
1
000

DB2 A-A11E11
01A-B2H1B11
DK2 A-A1M1B11
01A-B2H1D11
EE2 A-A1M1C11
01A-B2H1E11

07-17-73 734098

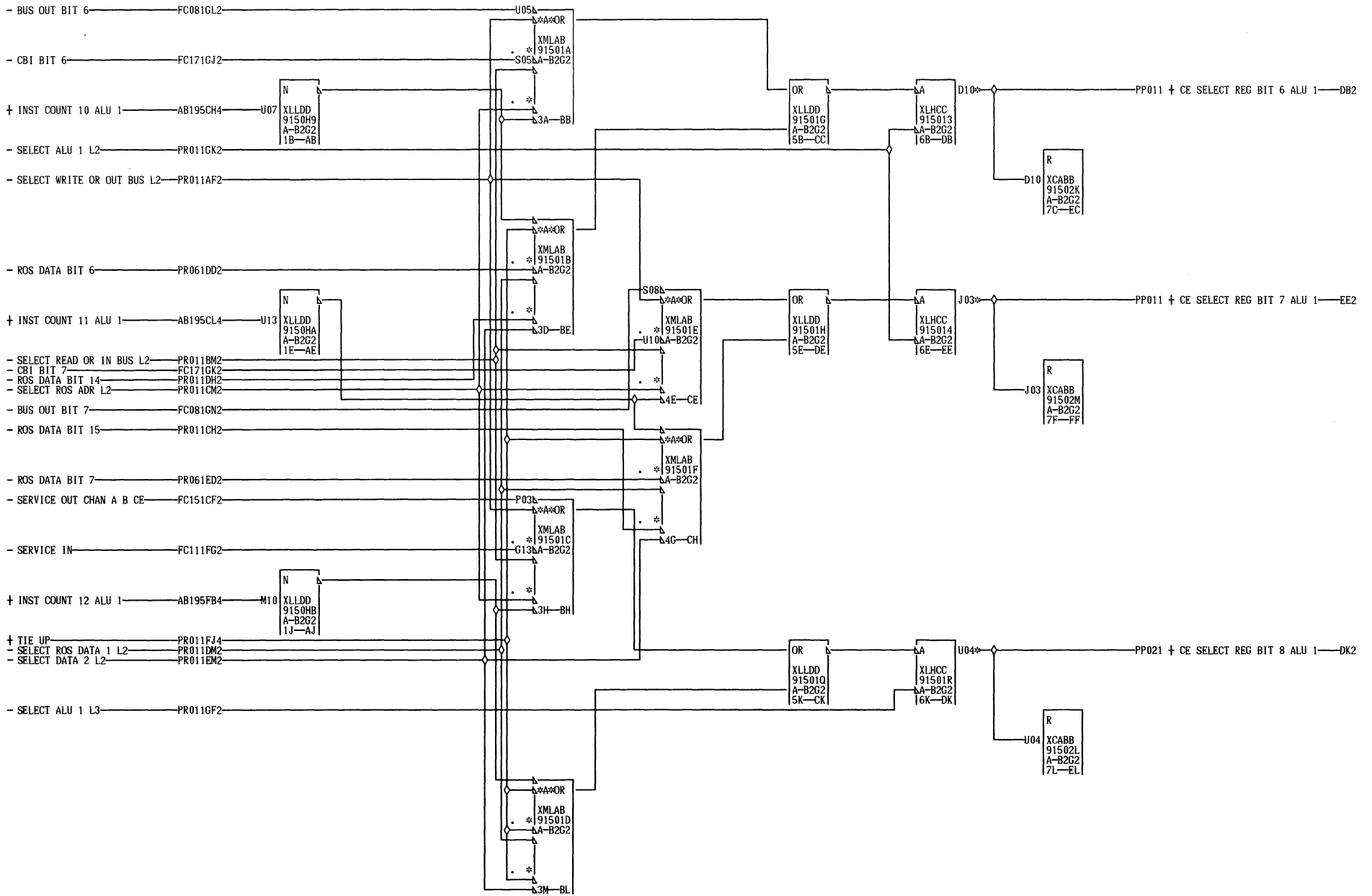
ALU 1 CE SELECT REG 00102			
DATE	08-18-81	MACH.	3803-2
LOG	0016	FRAME	01
		P.N.	2736393
IBM CORP.	SDD BLK.	FG	000



P DB2 A-A1M1D11
 R 01A-B2J1A11
 0 DK2 A-A1N1A11
 3 01A-B2J1C11
 1 EE2 A-A1N1B11
 01A-B2J1D11

07-17-73 734098

ALU 1 CE SELECT REG 304 + 5	P
DATE 08-18-81 MACH. 3803-2	R
LOG 0016 FRAME 01	0
P.N. 2736394	3
IBM CORP. SDD BLK.	1
	000

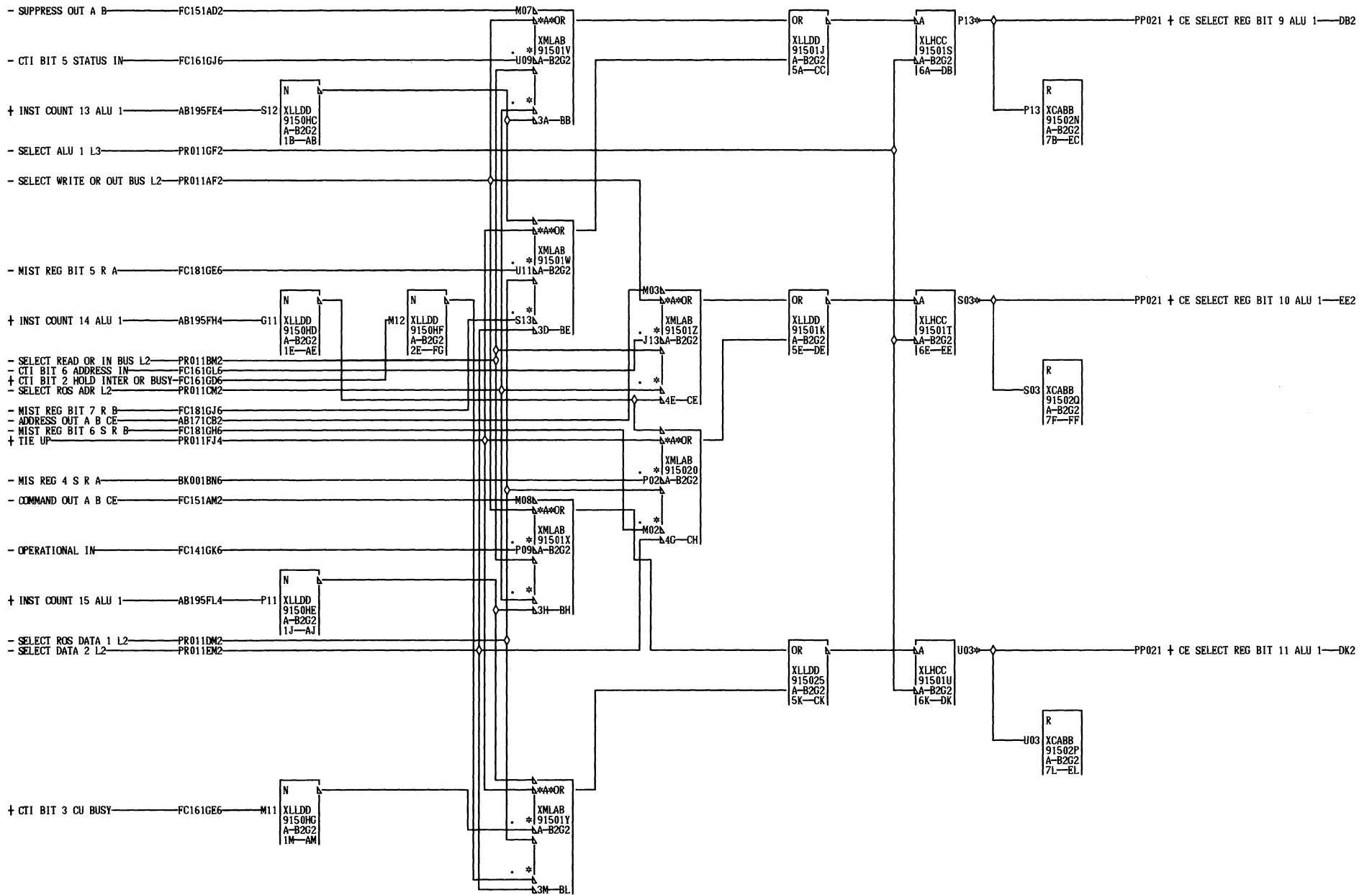


P
R
0
4
1
000

DB2 A-A1N1C11
01A-B2J1E11
DK2 A-A1N1E11
01A-B2X1B11
EE2 A-A1Q1C13
01A-B2E1C13

07-17-73 734098

ALU 1 CE SELECT REG 607048		P
DATE	08-18-81 MACH. 3803-2	R
LOG	0016 FRAME 01	0
	P.N. 2736395	4
		1
IBM CORP.	SDD BLK.	000



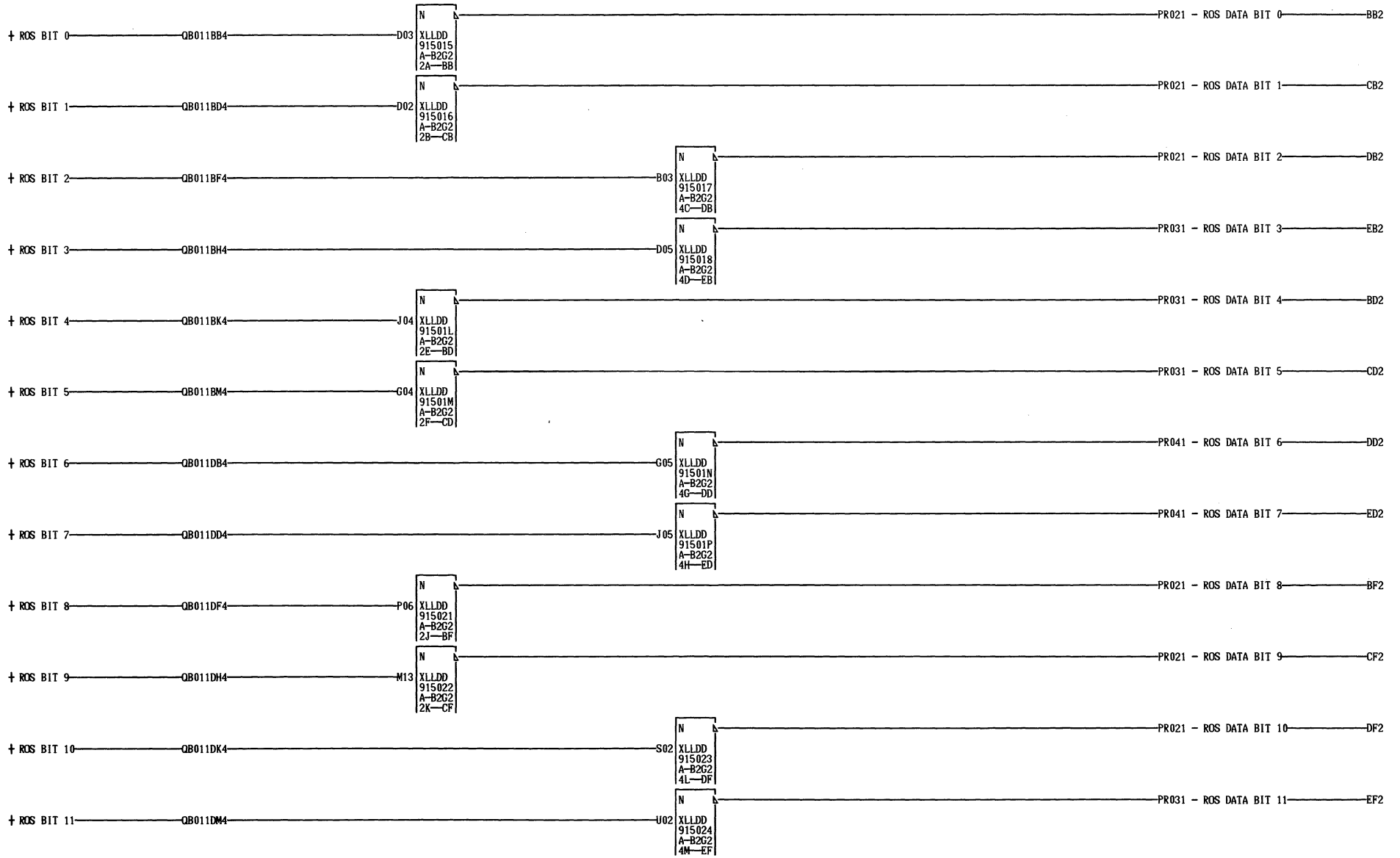
P
R
0
5
1
000

DB2 A-A1P1E11
01A-B2D1E11
DK2 A-A1Q1A11
01A-B2E1A11
EE2 A-A1Q1C11
01A-B2E1C11

07-17-73 734098

ALU 1 CE SELECT REG 9 10 +11
DATE 07-28-81 MACH. 3803-2
LOG 0016 FRAME 01
P.N. 2736396
IBM CORP. SDD BLK. PH

P
R
0
5
1
000

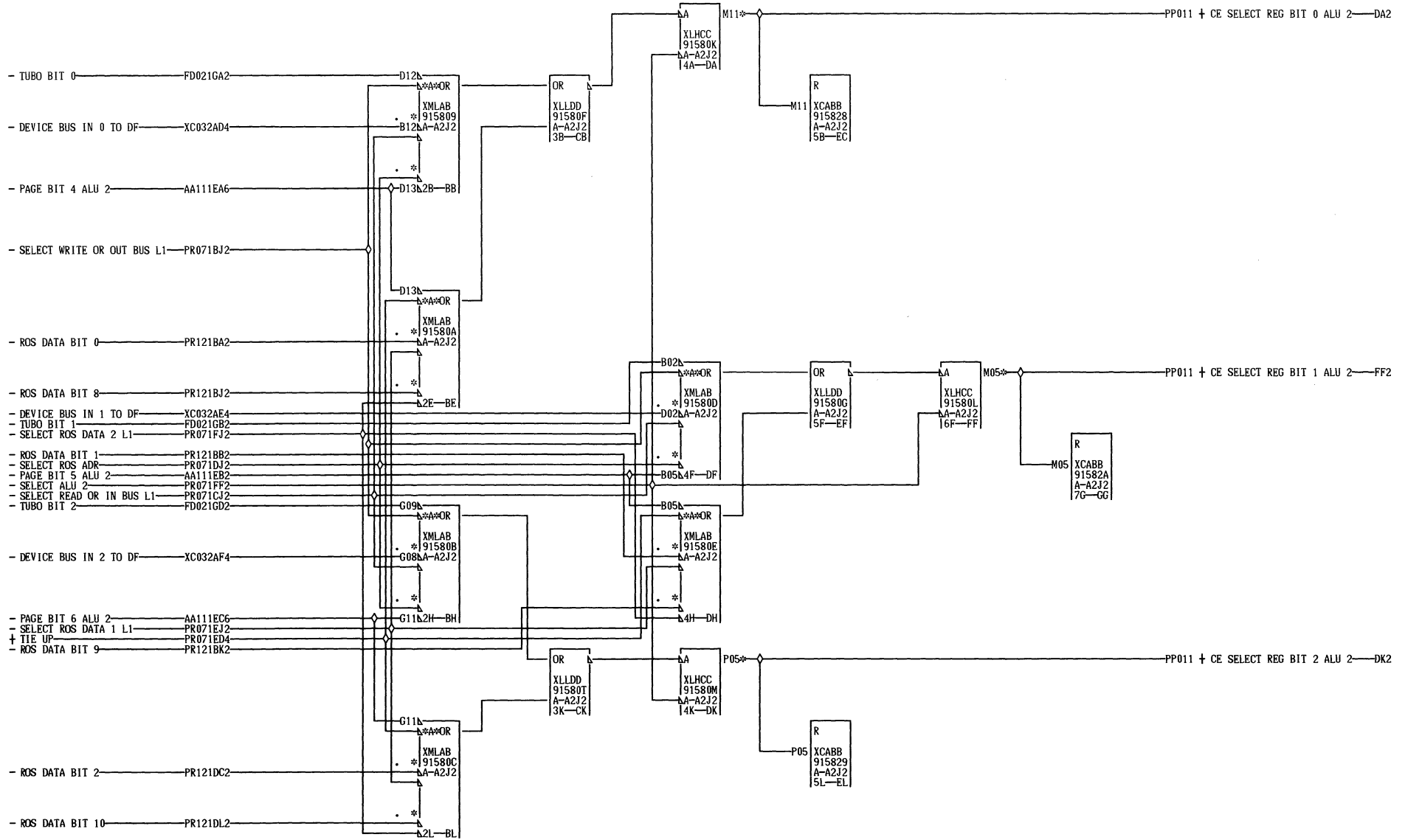


07-17-73 734098

P
R
O
G
R
A
M
000

ALU 1 CE SELECT REG INV.			
DATE	07-28-81	MACH.	3803-2
LOG	0016	FRAME	01
		P.N.	2736397
IBM CORP.	SDD BLK.		EG

P
R
O
G
R
A
M
000



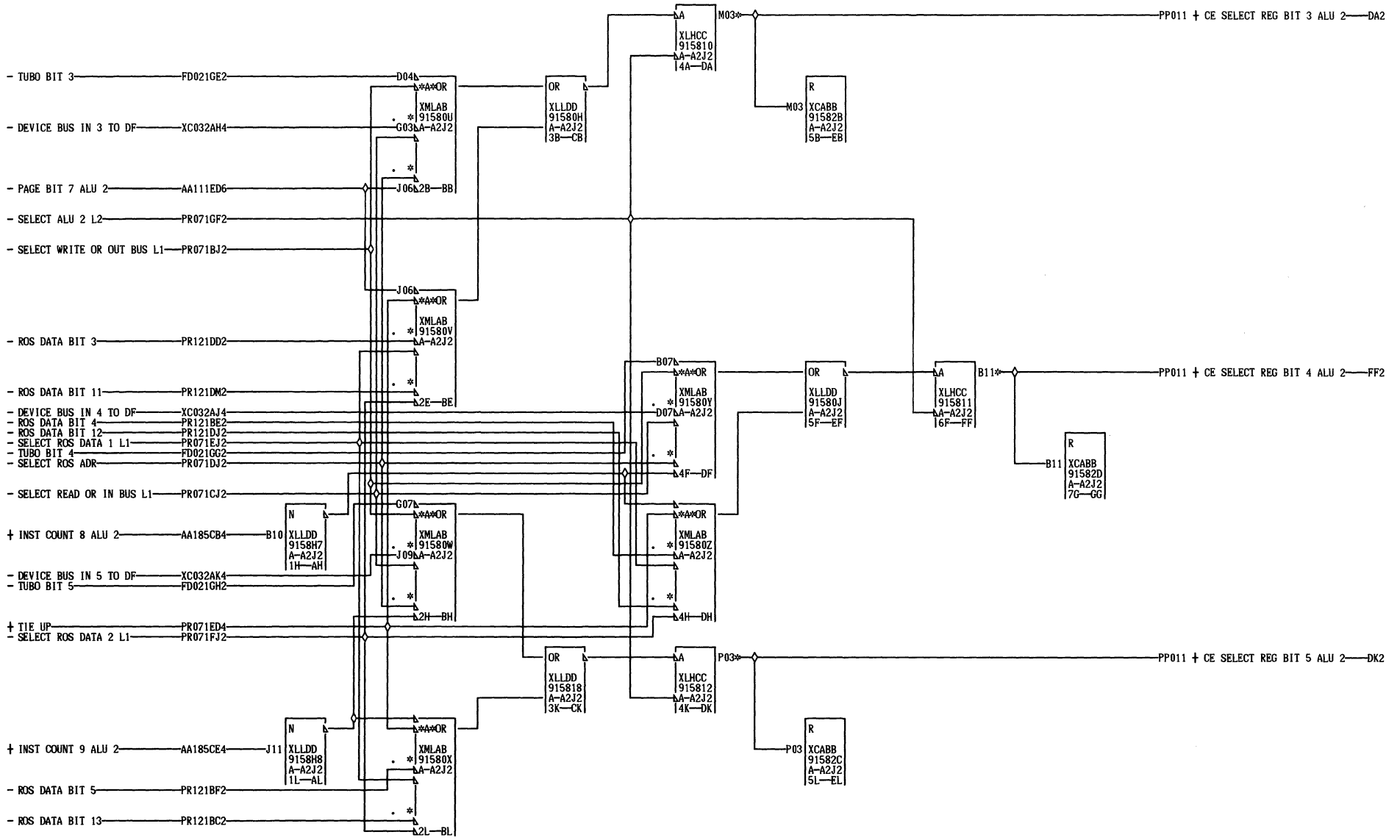
P
R
0
8
1
000

DA2 A-A14B13
01A-A2A2B13
DK2 A-A14D02
01A-A2A2D02
FF2 A-A14D03
01A-A2A2D03

07-17-73 734098

ALU 2 CE SELECT REG 0 1 2			
DATE	08-18-81	MACH.	3803-2
LOG	0016	FRAME	01
		P.N.	2736399
IBM CORP.	SDD	BLK.	GH

P
R
0
8
1
000



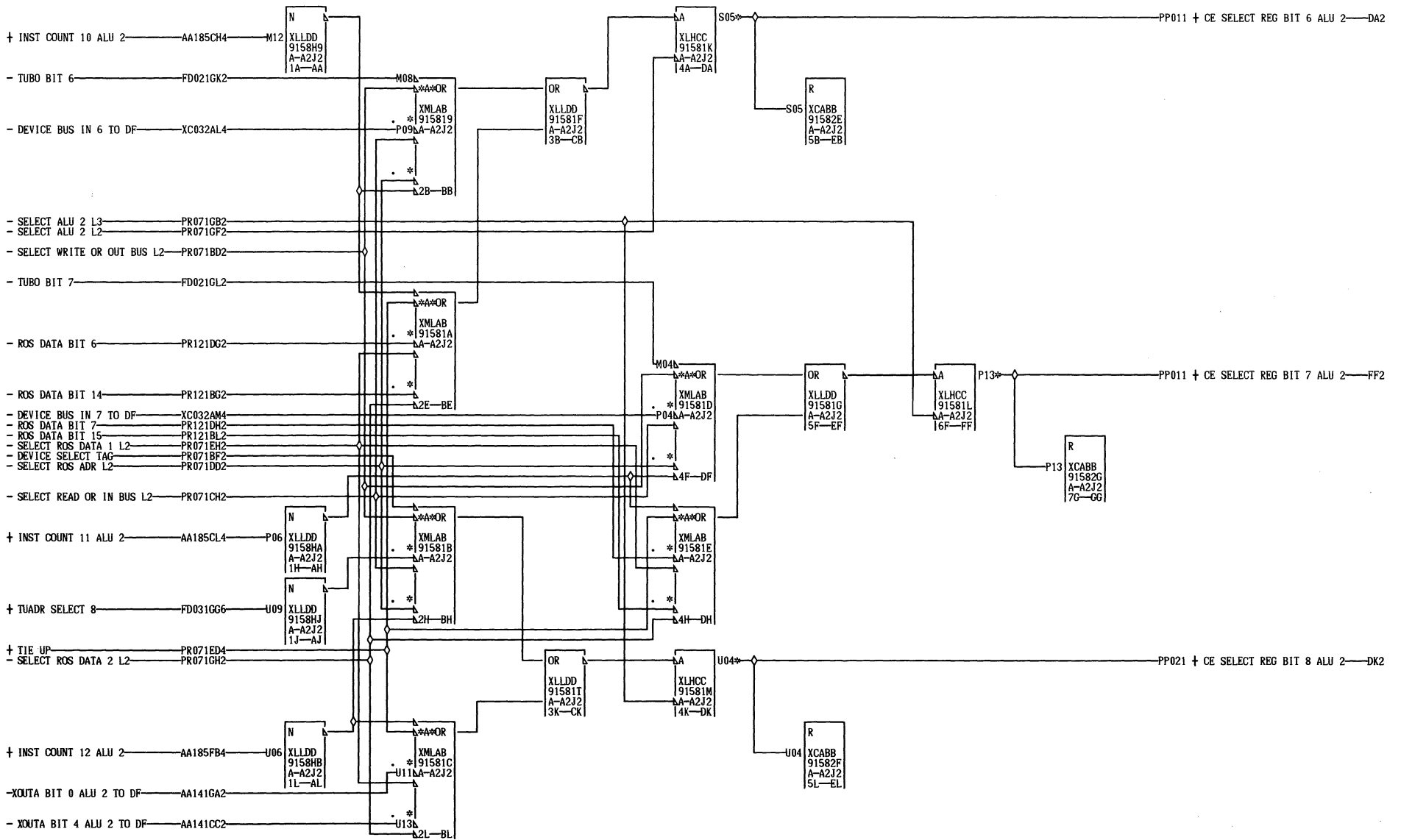
P
R
0
9
1
000

DA2 A-A1A4D05
01A-A2A2D05
DK2 A-A1A4D06
01A-A2A2D06
FF2 A-A1A4D07
01A-A2A2D07

07-17-73 734098

ALU 2 CE SELECT REG 3 4 5			
DATE	08-18-81	MACH.	3803-2
LOG	0016	FRAME	01
		P.N.	2736400
IBM CORP.		SDD BLK.	GH

P
R
0
9
1
000

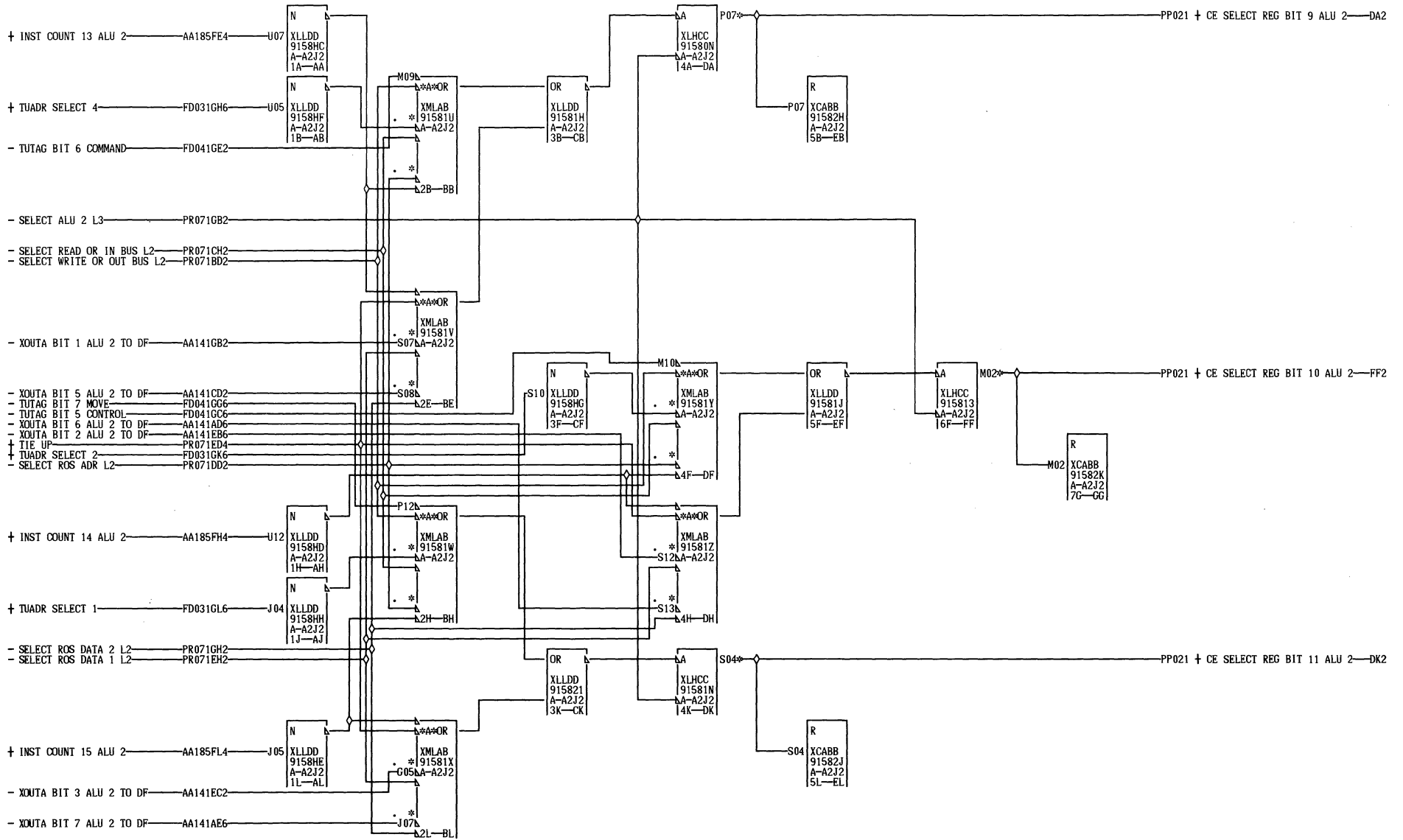


P
R
1
0
1
000

DA2 A-A1A4D09
01A-A2A2D09
DK2 A-A1A4D10
01A-A2A2D10
FF2 A-A1A4D11
01A-A2A2D11

07-17-73 734098

ALU 2 CE SELECT REG 6 7 8		
DATE	07-28-81 MACH. 3803-2	P R 1 0 1
LOG	0016 FRAME 01	
P.N. 2736401		
IBM CORP.	SDD BLK.	GH

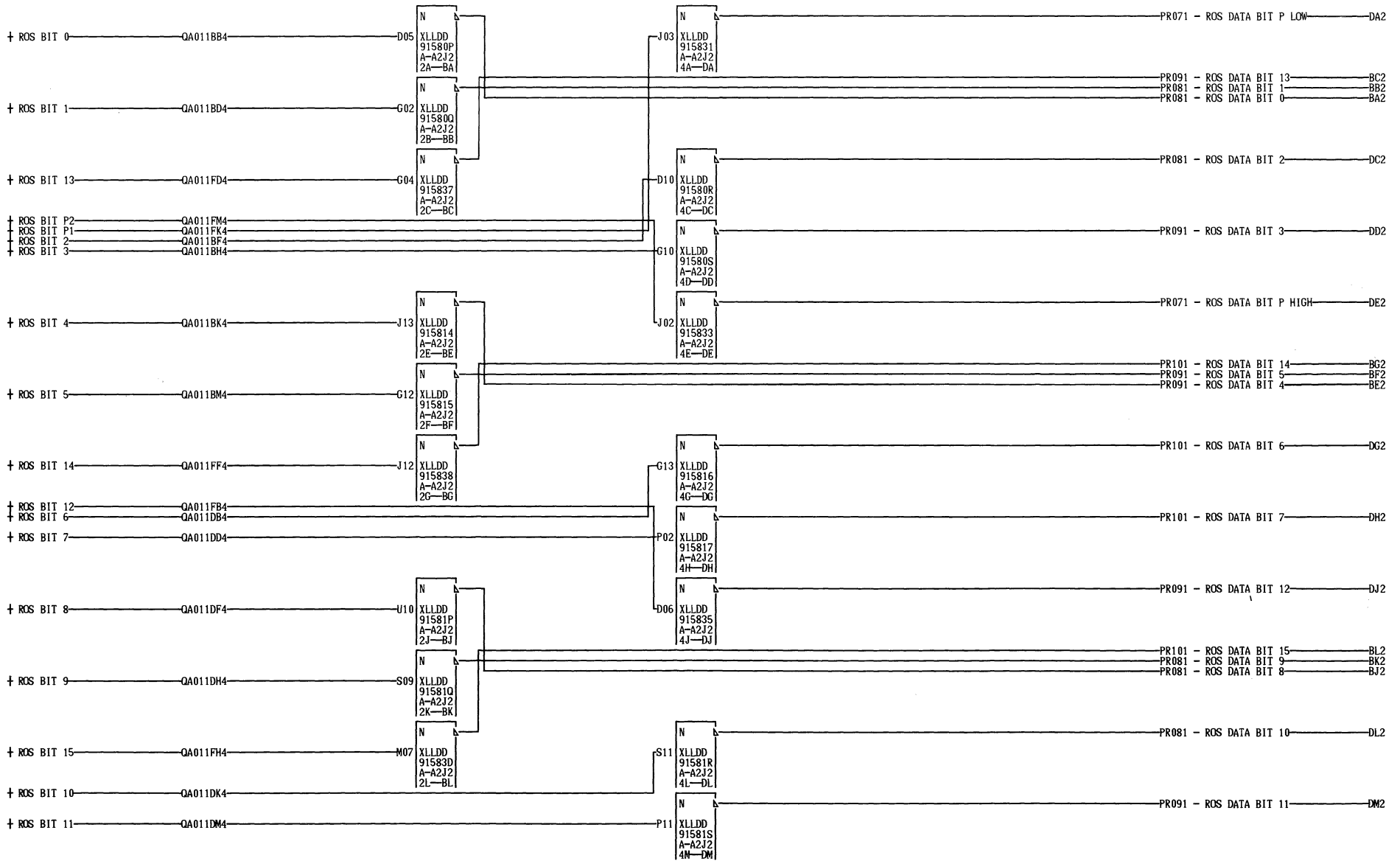


P
R
1
1
1
000

DA2 A-A1A4D13
01A-A2A2D13
DK2 A-A1E6C04
01A-A2E1C13
FF2 A-A1E6D04
01A-A2E1D13

07-17-73 734098

ALU 2 CE SELECT REG 9 10 11	P
DATE 07-28-81 MACH. 3803-2	R
LOG 0016 FRAME 01	1
P.N. 2736402	1
IBM CORP. SDD BLK.	000



07-17-73 734098

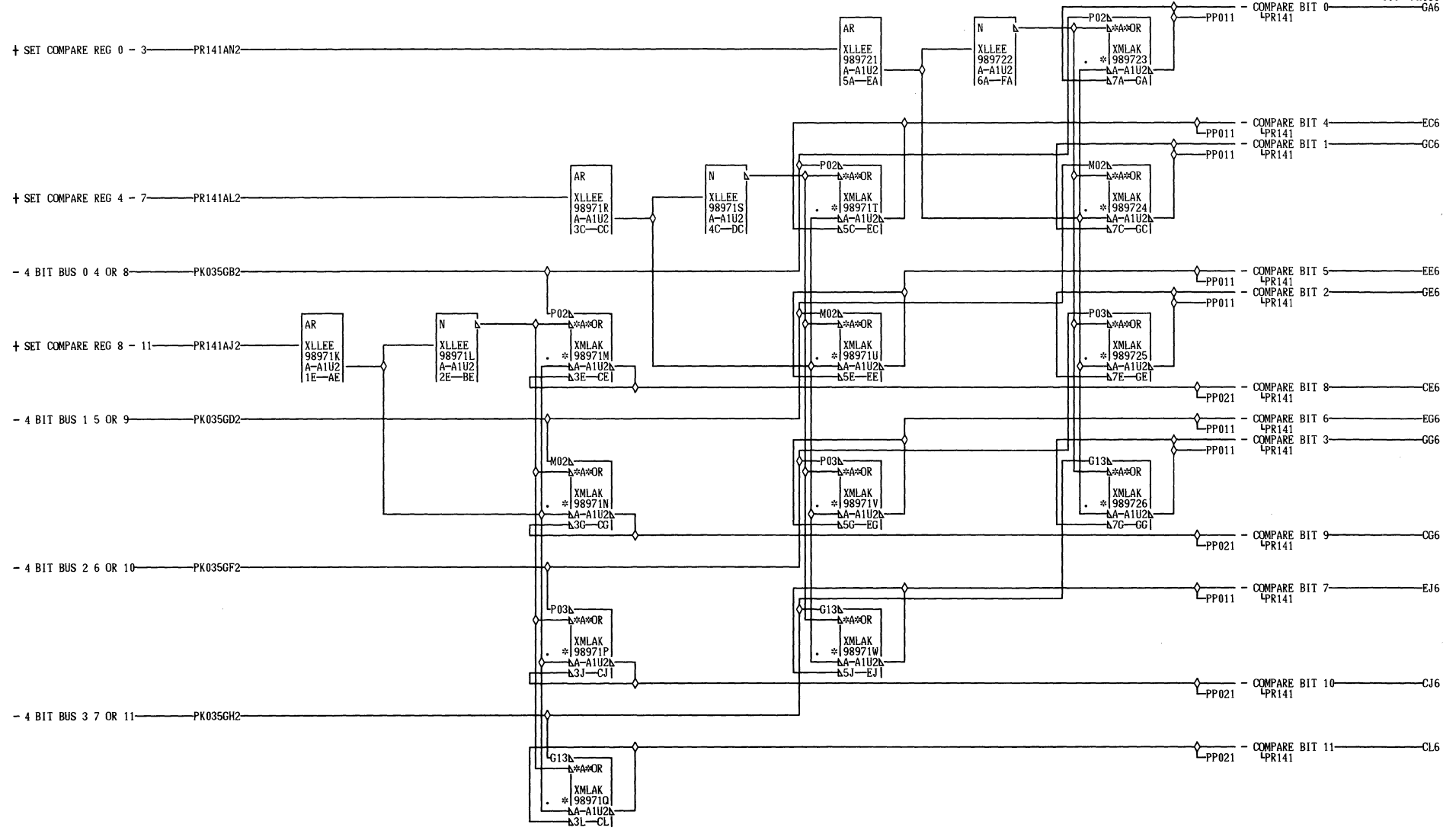
P
R
1
2
1

000

ALU 2 CE SELECT REG INVERTERS			
DATE	07-28-81	MACH.	3803-2
LOG	0016	FRAME	01
		P.N.	2736403
IBM CORP.	SDD	BLK.	DN

P
R
1
2
1

000



07-17-73 734098

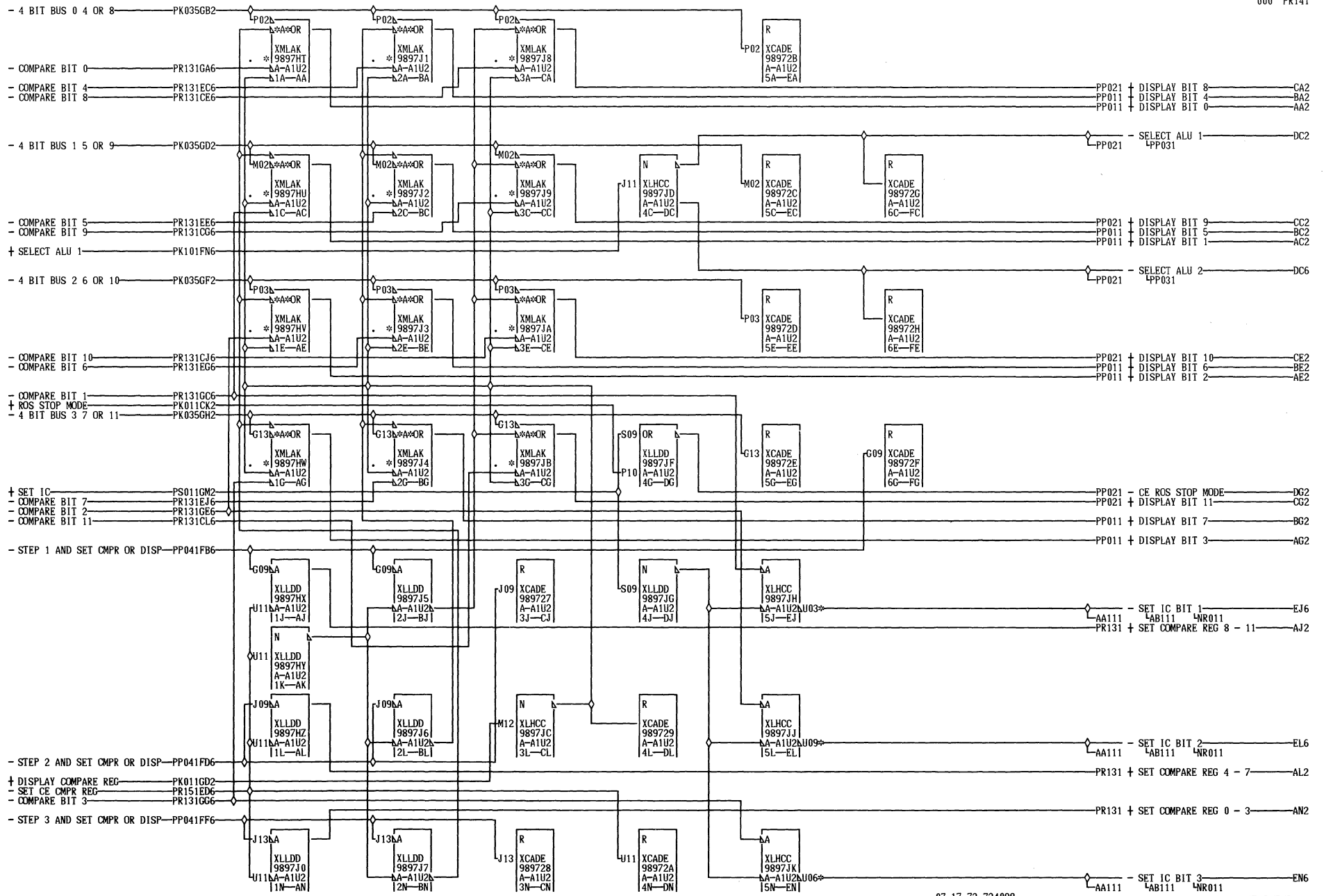
P
R
1
3
1

000

CE COMPARE REGISTER			
DATE	08-18-81	MACH.	3803-2
LOG	0016	FRAME	01
		P.N.	2736404
IBM CORP.	SDD	BLK.	GH

P
R
1
3
1

000



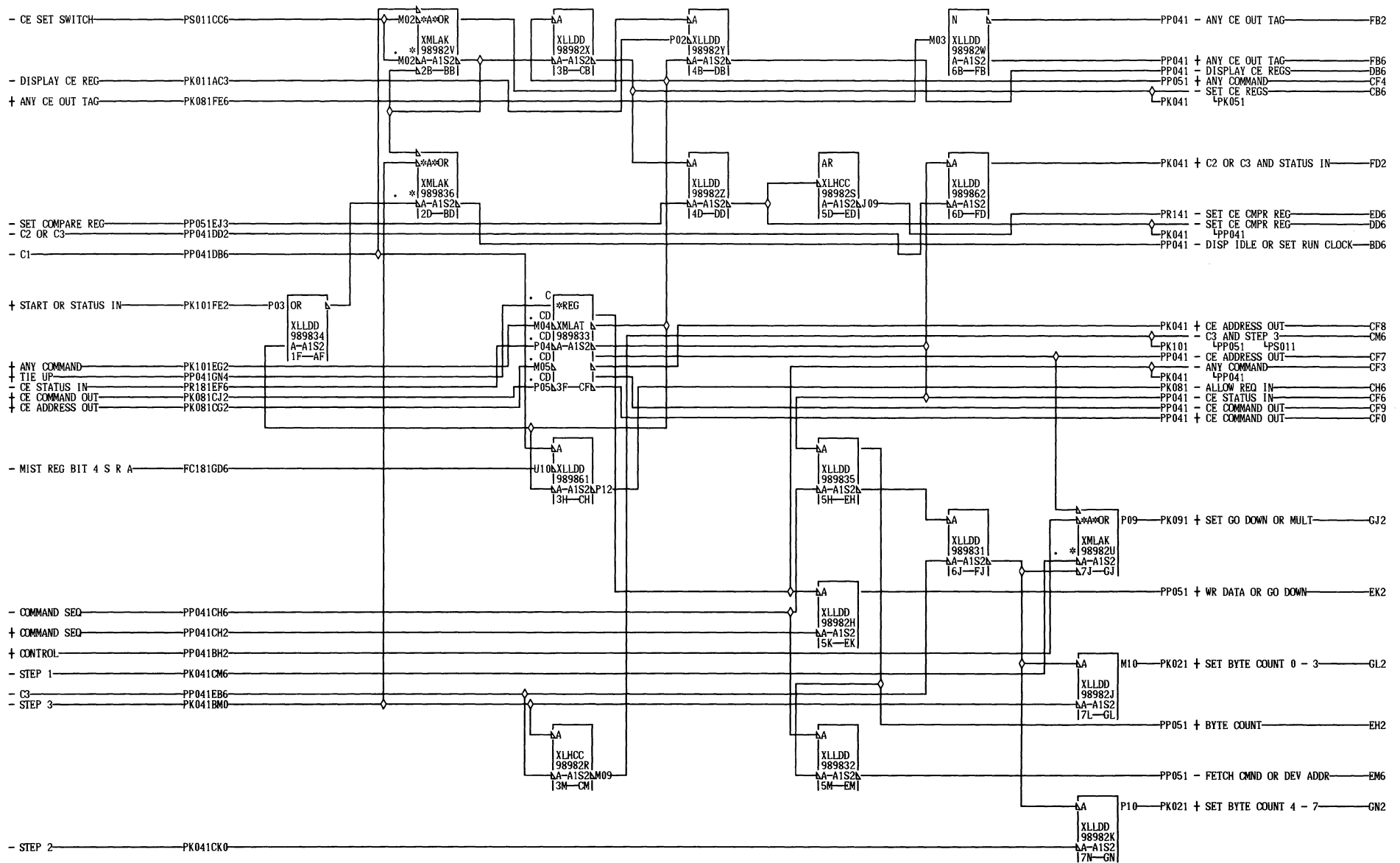
P
R
1
4
1
000

EJ6 A-A1D6E02 01A-A2E1A11
 01A-A2D1E11 01A-A2U2D07
 01A-A2U2D13 01A-B2B2D07
 01A-B2B2D13
 EL6 A-A1E6B04
 01A-A2E1B13
 01A-A2U2D11
 01A-B2B2D11
 EN6 A-A1E6A02

07-17-73 734098

INPUT POWERING			
DATE	08-18-81	MACH.	3803-2
LOG	0016	FRAME	01
		P.N.	2736405
IBM CORP.	SDD BLK.		CK

P
R
1
4
1
000



07-17-73 734098

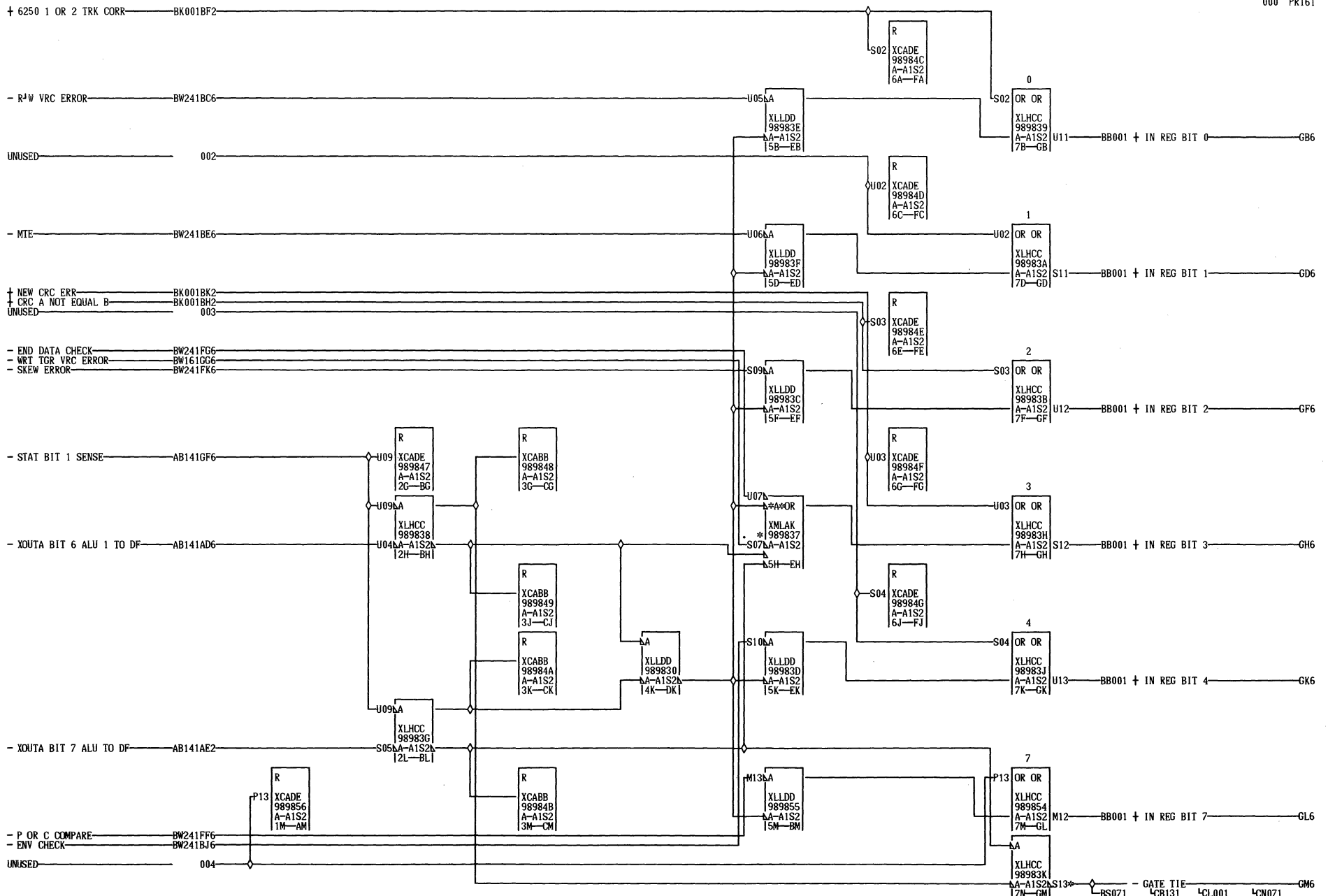
MISC CTRLS AND PHASE SPLITTERS			
DATE	07-28-81	MACH.	3803-2
LOG	0016	FRAME	01
		P.N.	2736406
IBM CORP.		BLK.	GP

P
R
1
5
1

000

P
R
1
5
1

000



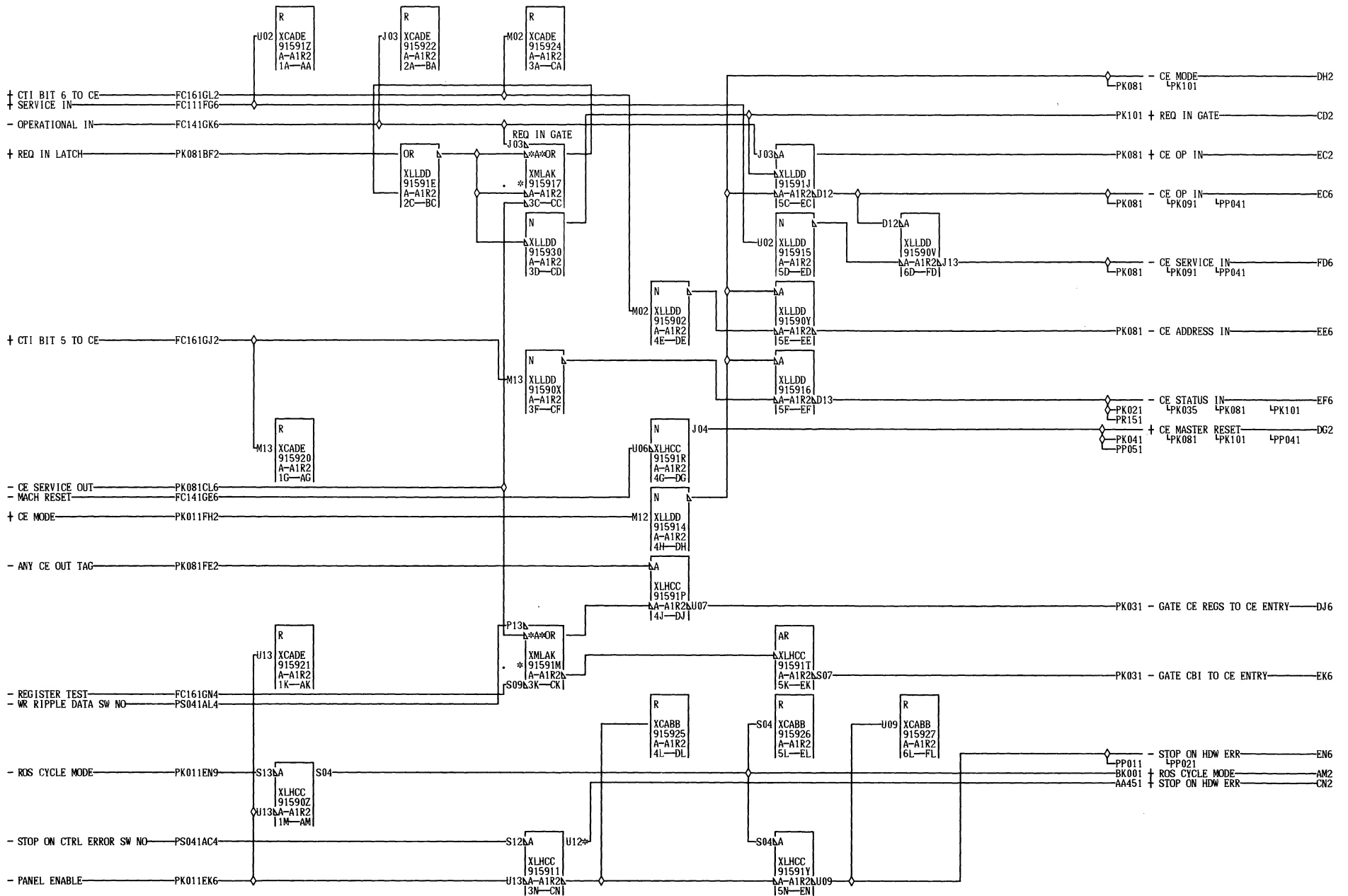
GM6 A-1F1B13
01X-Y1U6C04

07-17-73 734098

SENSE BYTE GATING			
DATE	07-28-81	MACH.	3803-2
LOG	0016	FRAME	01
		P.N.	2736407
IBM CORP.		BLK.	GN

P
R
1
6
1
000

P
R
1
6
1
000



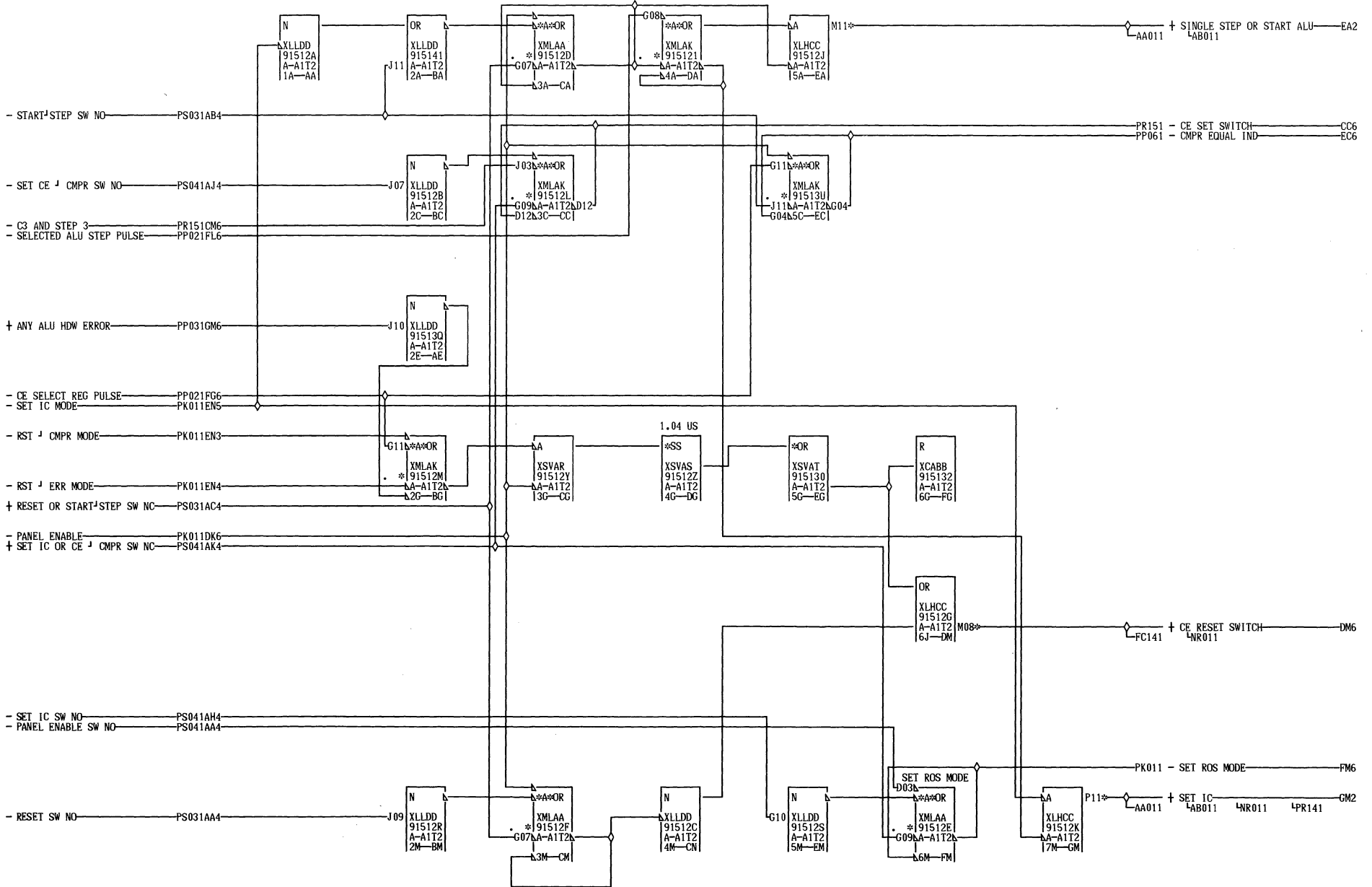
CN2 A-A1A3B05
01A-A2C2B05

07-17-73 734098

P
R
1
8
1
000

CE IN TAGS			
DATE	08-18-81	MACH.	3803-2
LOG	0016	FRAME	01
		P.N.	2736408
IBM CORP.	SDD	BLK.	GN

P
R
1
8
1
000



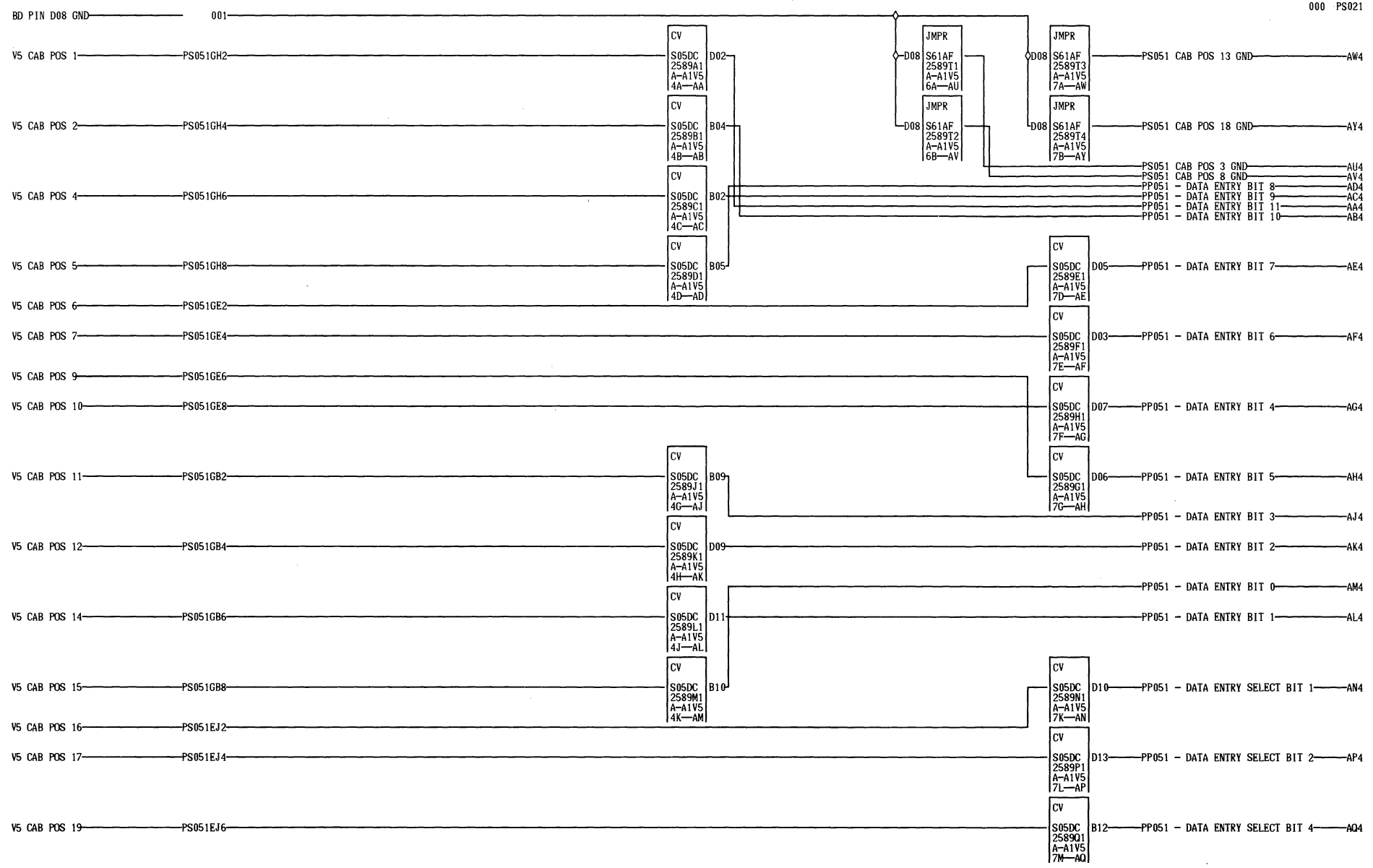
P
S
0
1
1
000

DM6 A-A1H1D13 01A-B2B5B12
 01A-B2B1B13
 EA2 A-A1F6C04
 01A-A2F1C13
 01A-A2U2B12
 01A-B2B2B12
 GM2 A-A1E6C02
 01A-A2E1C11
 01A-A2U5B12

07-17-73 734098

CE PANEL PUSH-BUTTON			
CIRCUITS			
DATE	08-18-81	MACH.	3803-2
LOG	0016	FRAME	01
P.N.			2736409
IBM CORP.	SDD	BLK.	GN

P
S
0
1
1
000

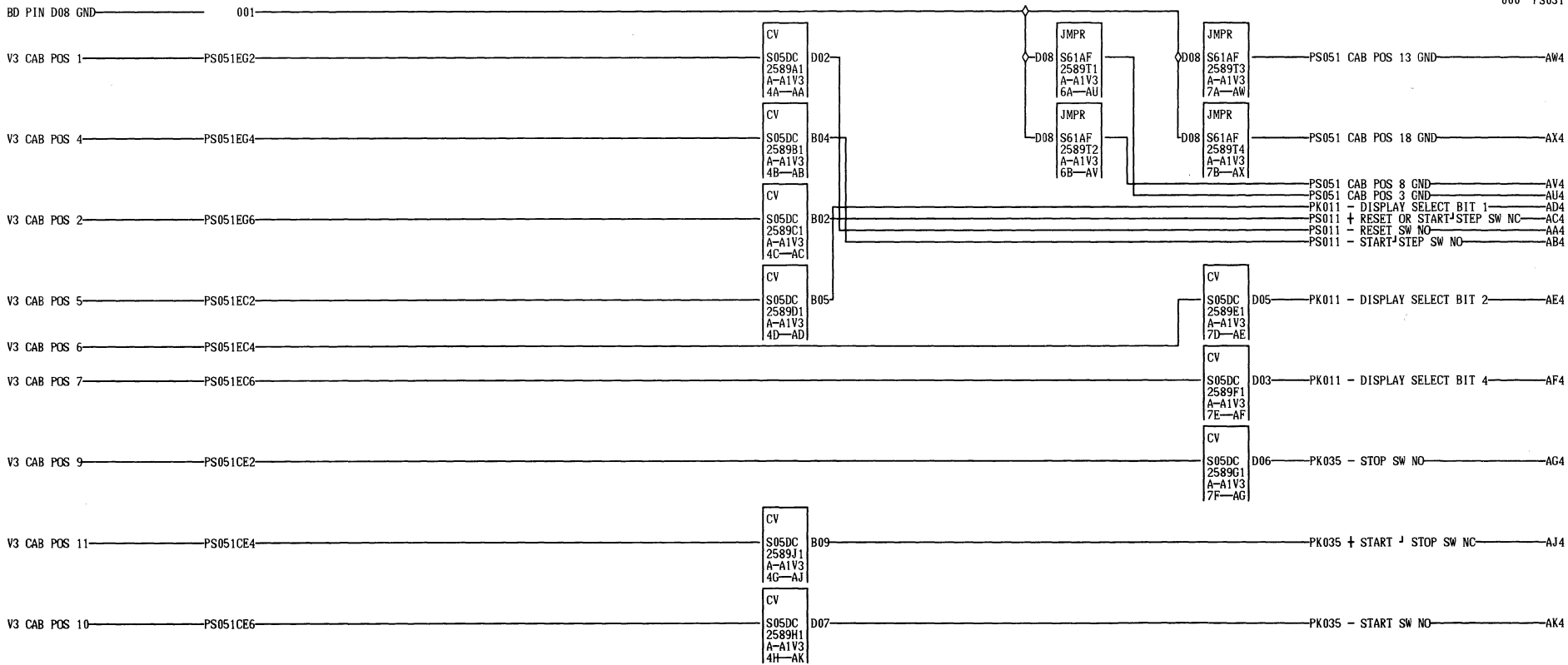


07-17-73 734098

P
S
0
2
1
-000

SWITCH INTEGRATOR CABLE CARD			
DATE	07-28-81	MACH.	3803-2
LOG	0016	FRAME	01
		P.N.	2736410
IBM CORP.	SDD	BLK.	AZ

P
S
0
2
1
000



07-17-73 734098

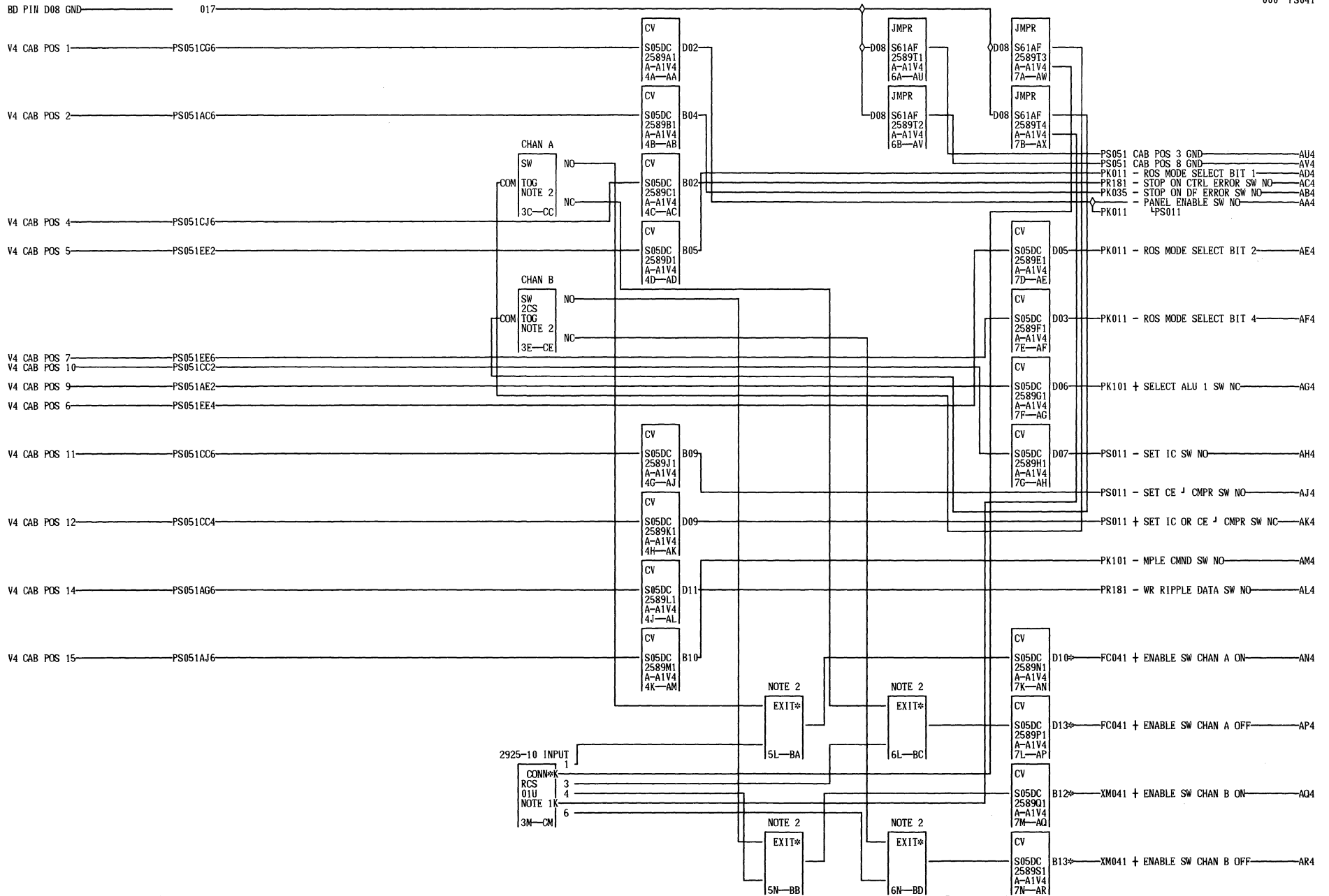
PS031

000

SWITCH INTEGRATOR CABLE CARD			
DATE	07-28-81	MACH.	3803-2
LOG	0016	FRAME	01
		P.N.	2736411
IBM CORP.	SDD	BLK.	AY

PS031

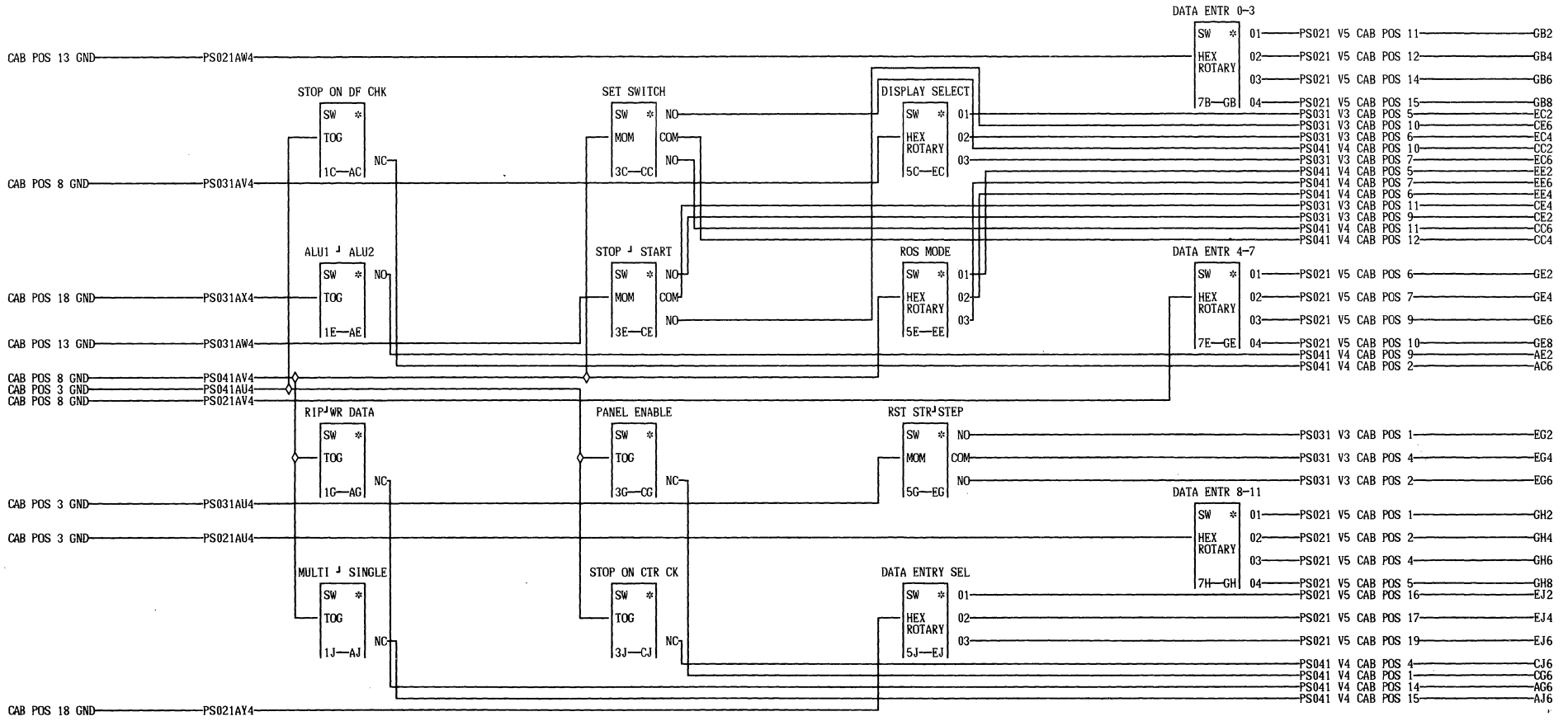
000



NOTE 1 REMOTE CHANNEL SWITCH CONNECTOR 01U IS PHYSICALLY LOCATED BETWEEN TAILGATES 01S AND 01T.
 0 NOTE 2 WITH RCS FEATURE 4 THE OPERATOR PANEL SWITCHES 1 ARE DISABLED.

AN4 A-A1A3D09	01A-A2C2D11
01A-A2C2D09	01A-A2V5B05
01A-A2V5B02	01A-B2A5B05
01A-B2A5B02	AR4 A-A1A3D13
AP4 A-A1A3D10	01A-A2C2D13
01A-A2C2D10	01A-A2V5B06
01A-A2V5B04	01A-B2A5B06
01A-B2A5B04	
AQ4 A-A1A3D11	

SWITCH INTEGRATOR CABLE CARD			
DATE	07-28-81	MACH.	3803-2
LOG	0016	FRAME	01
		P.N.	2736412
IBM CORP.	BLK.		CN



07-17-73 734098

CE PANEL SWITCHES			
DATE	08-18-81	MACH.	3803-2
LOG	0016	FRAME	01
		P.N.	2736413
IBM CORP.	SDD	BLK.	GJ

P
S
0
5
1

000

P
S
0
5
1

000